

Installation Manual

Toilet Partitions, Dressing Compartments & Shower Stalls

Metpar Corp

95 State Street, Westbury, New York, USA, 11590

Tel: 516-333-2600 Fax: 516-333-2618

Internet: <http://www.Metpar.com> E-mail: Service@Metpar.com

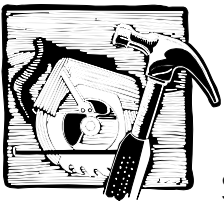
Table of Contents

- Stop! Before you begin. Page 1
- Suggested tools. Page 1
- Metpar tips. Page 2
- Hardware nomenclature Page 2
- Step 1 - Layout Page 3
- Step 2 - Prepare Stiles Page 3
- Step 3 - Position Panel Page 3
- Step 4 - Attach Stiles Page 4
- Step 5 - Secure stiles to panel Page 5
- Step 6 - Headrail & Panel fasten Page 5
- Step 7 - Install Door Page 5
- Step 8 - Care & Maintenance Page 6
- Step 9 - Need Help? Page 6



Before you begin, note the following...

- Caution, safety first! Be certain to have and use the proper safety gear.
- Structural support in the walls, floors and/or ceiling is not supplied by Metpar. Verify that adequate blocking has been installed where necessary before you proceed.
- This installation manual is intended to be used in conjunction with the layout drawings prepared by Metpar. Refer to the layout drawings for further information such as; product style (ie: The Corinthian FP-500 Overhead Braced), stall width and depth, ceiling height (for ceiling hung or floor-to-ceiling), individual component sizes (ie: panels, stiles &/or doors), etc. You will need the layout drawings to determine the centerline markings for drilling locations.
- When the material is shipped to you, an Initial Release (packing list) is included. Be certain that all items you need have been ordered and shipped properly.



Suggested Tools...

For your convenience, we recommend that you have the following tools;

Tape measure, chalk line, pencil, masking tape (to help you layout drilling locations), electric or battery operated drill, drill bits including torx pin head T27 bit, screwdriver (slotted and phillips head), center punch, plumb-bob, level, hacksaw, hammer, shims, support blocks (12" high).



METPAR CORP, 95 State Street, Westbury, NY, USA, 11590 Tel: 516-333-2600, Fax: 516-333-2618



Metpar tips...

1. Plan ahead... coordinate all of the materials and hardware for each specific layout. Study your layout drawings and evaluate any special conditions that may require custom size materials, unique hardware or special tools.
2. When you determine the centerline dimensions, refer to the stall depths shown on your layout drawings. For Powder Shield, Stainless Steel and Plastic Laminate pilasters, the centerline is 5/8" less than the stall depth. Solid Phenolic pilasters are 3/8" less.
3. Read all of these instructions carefully and thoroughly. Reading this manual first will better prepare you for the entire installation.

Ⓟ ? Hardware Nomenclature...

What does "P1" mean? What are all those little circles on my layout drawing? These indicate the hardware to be used at that location. Each one is an abbreviation for the bracket type. Each hardware package is marked with the same notation for easier identification.

- P1 = One ear panel bracket
- P2 = Two ear panel bracket
- P3 = One ear Alcove panel bracket
- PF = "PF" Screen with panel and post
- WH = Wall Hung Urinal Screen
- S1S = Stile one-ear short bracket (2" stiles only)
- S1L = Stile one-ear long bracket (3" & up)
- S3S & S3L = Same as S1S & S1L with 3 brackets
- S1LP = Stile one-ear bracket against panel
- S3M = Post one-ear mini bracket (3 per)
- EHR = End HeadRail brackets
- DB1 = Door Bumper
- H-1 = Inswing Door Hardware
- H-2 = Outswing Door Hardware
- H-3 = Entry Door Hardware
- P-S-1 = Inswing Post to Stile Door Hardware (post on hinge side of door & stile on strike side)
- P-S-2 = Outswing Post to Stile Door Hardware (post on hinge side of door & stile on strike side)



STEP 1 - Layout

- Mark the centerline of each stile location from the back wall. The centerline of the stile is $5/8"$ less than the overall dimension shown. Phenolic = $3/8"$ less. Measure out at each end of overall distance from first stall to last in line.
- Mark the centerline of all top and bottom wall brackets. Adjust if possible to locate in mortar joints. Caution: if doors use s/s surface hinges, you may need to raise or lower the wall brackets on 2", 3" and 4" stiles to avoid any conflict with the door hinges.
- From the side wall measure along the centerline of the stiles to locate the floor fasteners, to be located 1" in from each end of each pilaster. FP stiles at 2" and 3" use only one (1) floor mounting. FT and CH stiles at 2", 3", 4" and 5" use only one (1) mounting.
- Mark all bracket holes to be drilled using brackets as templates.
- Drill $1/4"$ holes for wall brackets.
- Drill holes for floor fastenings, $1/4"$ for FP500 or $3/4"$ for FT700.
- Insert plastic anchors into holes (see detail 4A).
- Secure wall brackets with #12 x $2\ 1/2"$ screws. Pilaster brackets have a wider space between the legs because a stile is thicker than a panel.

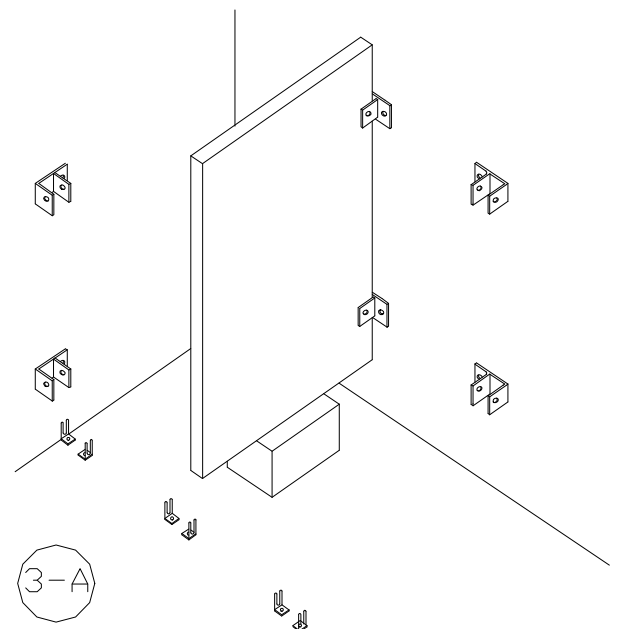
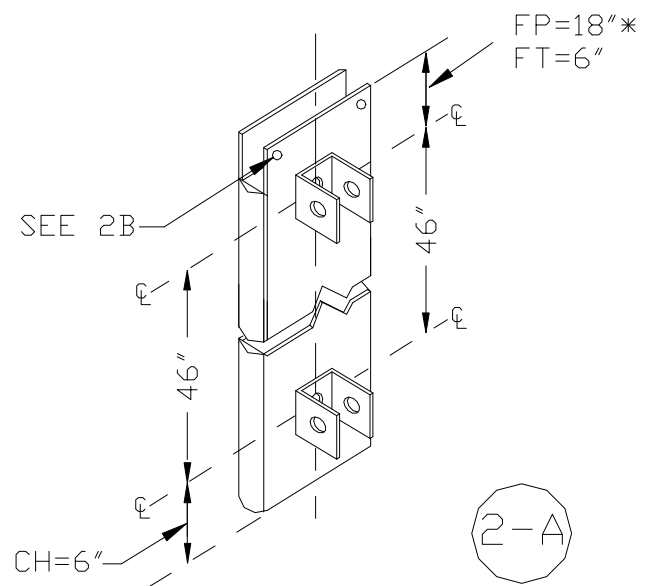
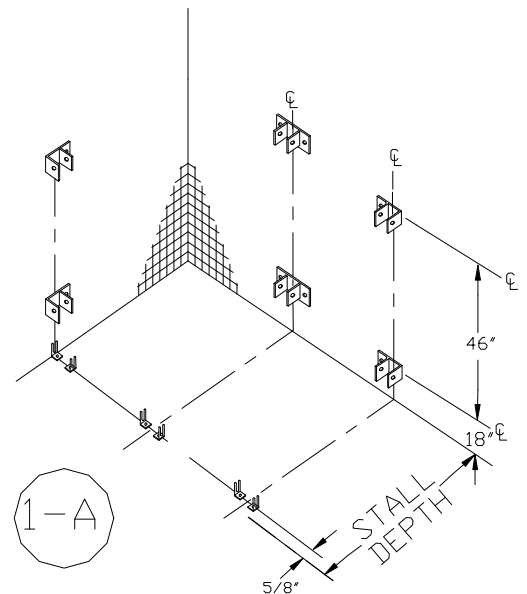
STEP 2 - Prepare Stiles

- Locate the U-brackets against the pilaster using the centerline dimensions. For Plastic and Phenolic, a 1-ear or 2-ear bracket will be used behind the pilaster. For FP500 and FT700 measure downward* from the top. For CH700, measure upward from the bottom of the stile. Fasten the brackets in place with sheet metal screws.
- On FP500 metal stiles, drill 2 pilot holes through the top back of the stile for headrail screws.
- Extend the leveling bolt (jackstuds) from the top of FP500 stiles to the bottom of the leveling bolthead to 82".
- Slide the stainless steel plinth onto the stile.

*Note: Measure downward 18" for powder Shield or Stainless Steel. Measure $16\ 1/2"$ downward for Plastic Laminate or Phenolic.

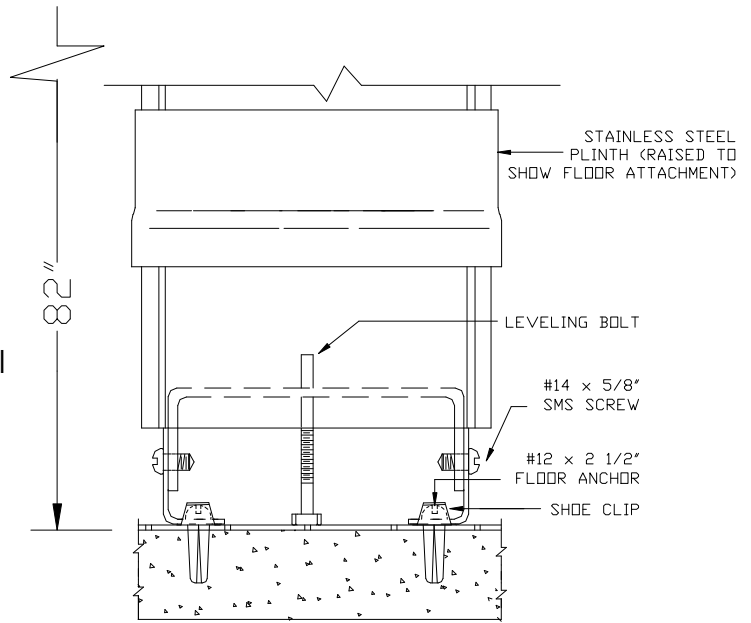
STEP 3 - POSITION PANEL

- Set the panel onto some type of support 12" high in position to hold the panel.
- Set the panel into the wall brackets **BUT** do not fasten the panel to the wall brackets yet.



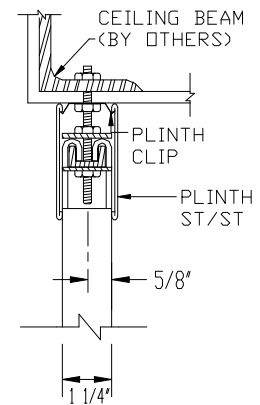
STEP 4A - Attach Stile FP500

- A. Place plastic anchors into the floor holes.
- B. Over each floor anchor place these items in the following order; one (1) shoe clip and one (1) bracket. Fasten into anchor with #12 x 2 1/2" screw.
- C. Place stile over L-brackets and push panel into U-brackets up to screw heads. Fasten one #14 x 5/8" sheet metal screw through each L-bracket.
- D. Plumb stile, place wedge at top rear between panel and wall.
- E. Fasten U-brackets to panel. Remove panel support.



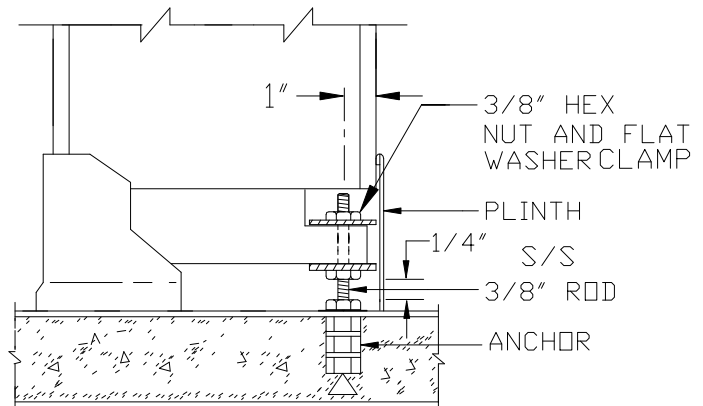
STEP 4B - Attach Stile CH700

- A. On each 3/8" diameter ceiling stud, place these items in the following order; one (1) shoe clip, one (1) rectangular washer, two (2) nuts and one (1) washer.
- B. Place stile over studs and place on each stud one (1) clamp, one (1) round washer and one (1) nut.
- C. Bottom of panel and bottom of stile should align and be even.
- D. Plumb stile, place wedge at top rear between panel and wall.
- E. Fasten U-brackets to panel. Remove panel support.



STEP 4C - Attach Stile FT700

- A. Place expansion shields into floor holes.
- B. Screw (hand tight) 3/8" studs into shields.
- C. On each stud place these items in the following order; one (1) shoe clip and one (1) washer.
- D. Screw one (1) 3/8" nut onto each stud. Tighten nuts to expand anchor.
- E. Place one (1) nut and one (1) round washer onto each stud.
- F. Lower the stile over the studs and place on each stud these items in the following order; one (1) clamp, one (1) round washer and screw on one (1) nut.
- G. Top of stile and top of panel should align and be even.
- H. Plumb stile, place wedge at top rear between panel and wall.
- I. Fasten U-brackets to panel. Remove panel support.

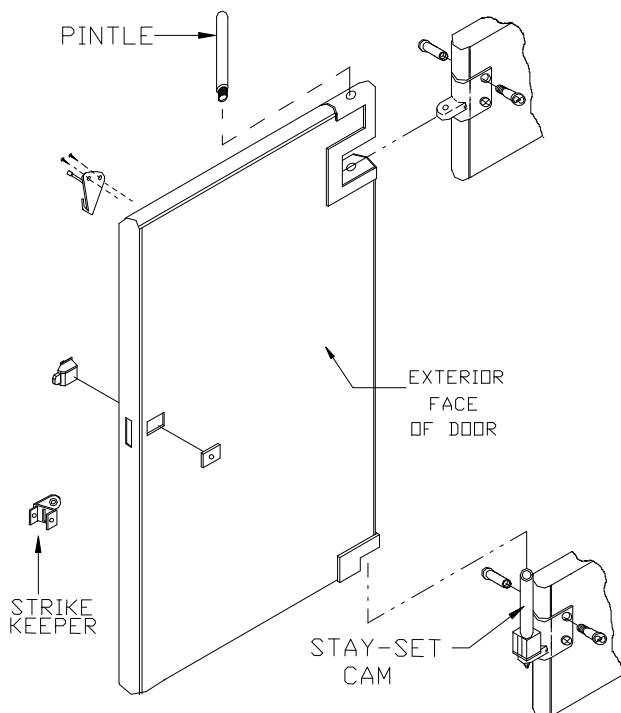
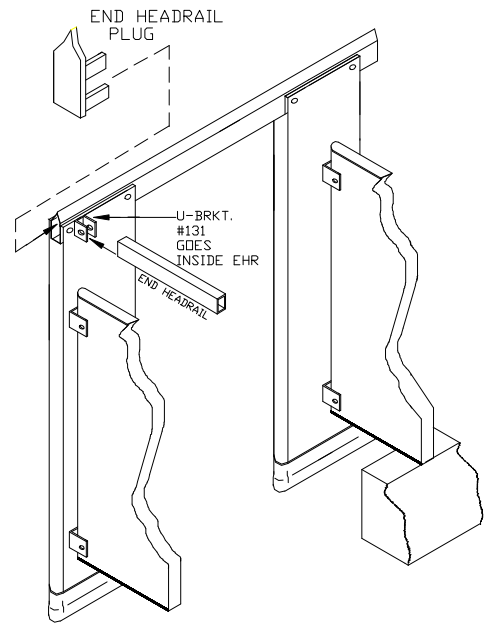


STEP 5 - Securing Stiles to Panels

- A. Stiles must be both plumb and level. Headrail may be used as an aid in this process by temporarily setting them in position (DO NOT fasten it at this time).
- B. Plumb stile and adjust elevation. Fasten stile to panel using sheet metal screws.
- C. By adjusting stile L-brackets on FP500, the proper door opening and stile elevation can be attained and set in position by tightening screws.

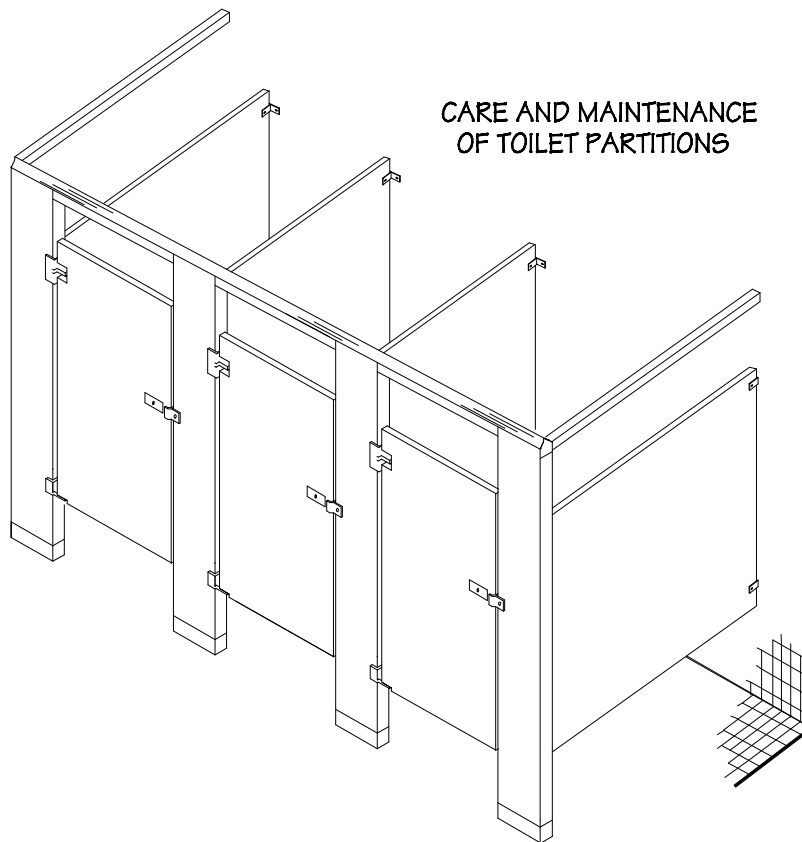
STEP 6 - Headrail and Panel Fastening

- A. Place headrail into top of stiles. Plumb stiles while setting door gaps, and fasten headrail to stiles using two (2) #14 x 5/8" sheet metal screws through back of stile into headrail.
- B. Fasten panel to wall brackets using #14 x 5/8" sheet metal screws.
- C. Slide stainless steel plinth down to floor level firmly engaging shoe clips.
- D. Cut excess headrail 1/8" to 1/4" past end of stile. Insert headrail end plug.
- E. To insure rigidity, install rectangular end-headrail to depth of last stall by securing with U-brackets at back of stile and also with a 2-ear headrail bracket at the back wall. Align over the end panel.



STEP 7 - Install Door

- A. Secure top and bottom hinge brackets onto stile with thru-bolts and barrel nuts through pre-drilled clearance holes.
- B. Assemble slide latch on door through pre-punched hole. Additional instructions and details are provided with the slide latch hardware package. Install coat hook/bumper.
- C. Install stay set cam on lower hinge bracket being sure to place the long tab on the square part of the stay set cam towards the inside of the door and the short tab to the stile. Set the rest position of the door and tighten.
- D. Install door onto hinge brackets with pintle and stay set cam as shown.
- E. Install strike/keeper onto stile. Align with door latch, fasten with thru-bolts and barrel nuts.



STEP 8 - Care and Maintenance

- A. All surfaces must be kept clean with water and a mild soap solution.
- B. Water left on units for extended periods will damage surface. The finish must be wiped dry following cleaning.
- C. In high humidity areas, the rooms must be properly ventilated.
- D. For maximum protection, periodic applications of good quality car wax will be beneficial for Powder Shield materials.

STEP 9 - Need Help?

- A. In the unlikely event that you need further help, you have several resources. First, contact the Metpar representative from which you purchased the materials. They are best equipped to assist you.
- B. Another quick and easy source of information is the Metpar internet web site. Here you'll find a cornucopia of information, details, specifications, technical support and so much more! Our URL address is <http://www.Metpar.com> or send e-mail to Service@Metpar.com.
- C. You can also contact us by phone at 516-333-2600, fax at 516-333-2618 or mail at 95 State Street, Westbury, NY, 11590.



Metpar Corp

95 State Street, Westbury, New York, USA, 11590

Tel: 516-333-2600 Fax: 516-333-2618

Internet: <http://www.Metpar.com> E-mail: Service@Metpar.com