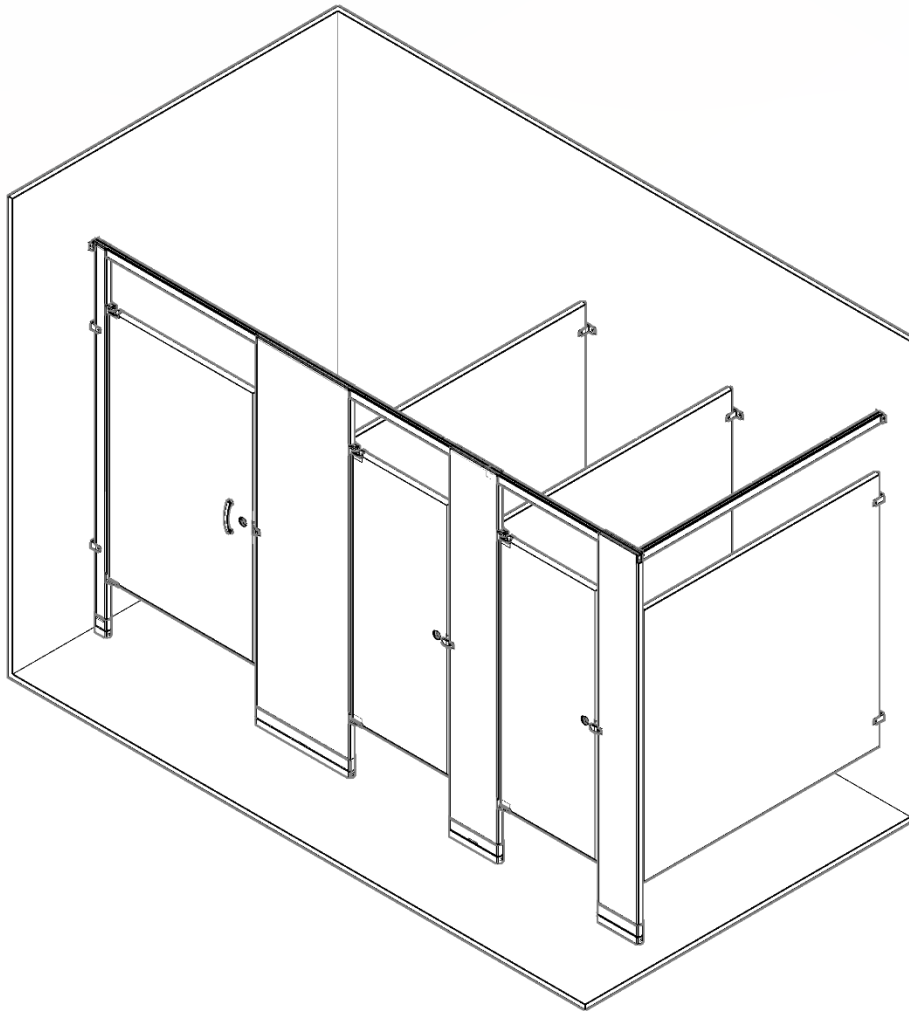


Installation Manual for Metal Toilet Partitions – Standard Series



For Video instructions

<http://www.hadrian-inc.com/Tech-Data/Installation/Toilet-Partitions.aspx>

| Table of Contents | Page |
|--|-------------|
| General Notes and Tools Required_____ | 3 |
| STEP 1: Establish Floor Bracket Locations_____ | 4 |
| STEP 2: Fasten Floor Brackets_____ | 4 & 5 |
| STEP 3: Erect Panels_____ | 6 |
| STEP 4: Erect Wall Pilaster_____ | 7 & 8 |
| STEP 5: Prepare Pilaster for Door_____ | 8 & 9 |
| STEP 6: Fasten “U” Brackets to Pilaster_____ | 9 |
| STEP 7: Erect Pilaster_____ | 10 |
| STEP 8: Prepare Door for Hanging_____ | 11 |
| STEP 9: Hang Door_____ | 12 |
| STEP 10: Erect Remaining Compartments_____ | 13 |
| STEP 11: Secure Headrail Brackets_____ | 13 |
| STEP 12: Place Headrail_____ | 14 & 15 |
| Appendix A: Alcove Units_____ | 16 |
| Appendix B: Continuous Channels_____ | 17 & 18 |
| Appendix C: Hinge Filler and Continuous Stop_____ | 19 |
| Appendix D: Surface Mounted Latches_____ | 20 |
| Appendix E: Indicator Latch_____ | 21 |
| Appendix F: Continuous Hinges_____ | 22 |
| Appendix G: Wrap Hinges_____ | 23 |
| Appendix H: Ceiling Hung Mounted Partitions_____ | 24 |
| Appendix I: Floor Mounted Partitions_____ | 25 |
| Appendix J: Floor to Ceiling Mounted Partitions_____ | 26 |

General Notes

The following installation instructions are based on headrail braced compartments in the most common unit arrangement. Other arrangements will be encountered, i.e. units contained between two walls or between two free-standing panels. For details on ceiling hung and floor to ceiling connections, refer to the appendix. Always adhere to applicable building codes.

Ceiling hung and floor to ceiling toilet partitions require an overhead structural member (normally a channel). This member is supplied, installed and drilled by others. Stud assemblies are available from Hadrian, but Hadrian does not install them. Stud assemblies should be in place prior to application of finished ceiling.

FINAL LAYOUT DRAWINGS. For dimensional information, refer to your plan layout and dimensional details. Note in particular the relationship of the panels to the pilasters (panels do not necessarily fall on the center line of the pilaster).

Recommended Safety Equipment

Safety Glasses



Safety Gloves



Safety Shoes



Hard Hat



Tools Required

- 4 ft. level
- Chalk line
- Tape Measure
- Hammer
- Hammer drill
- 5/16" (8mm) masonry bit
- Miscellaneous drill bits, including 4mm (5/32" & 8mm (5/16"))
- 6mm (1/4") masonry bit
- 11mm (7/16") & 13mm (1/2") wrench
- Miscellaneous screw driver bits
- Adjustable wrench
- Hacksaw
- 318mm (12") shim block to rest panels on for easier installation
- 6-lobe security driver bits
- "C" Clamp

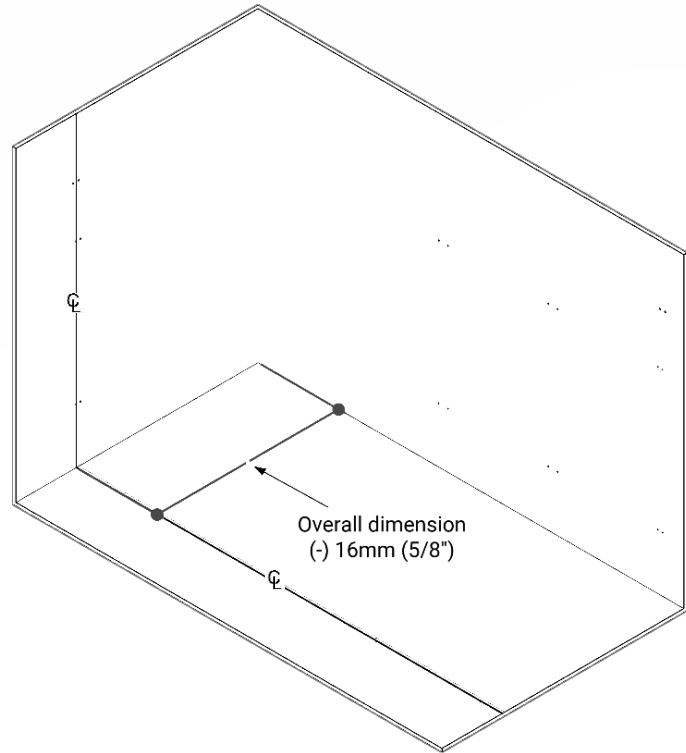
Installation Manual for Metal Toilet Partitions – Standard Series

STEP 1 : Establish Floor Bracket Locations

Establish the front centerline by taking the overall compartment dimension and deducting 16mm (5/8").

Use final layout drawings to determine locations.

See page 16 for Alcove Partitions instructions.



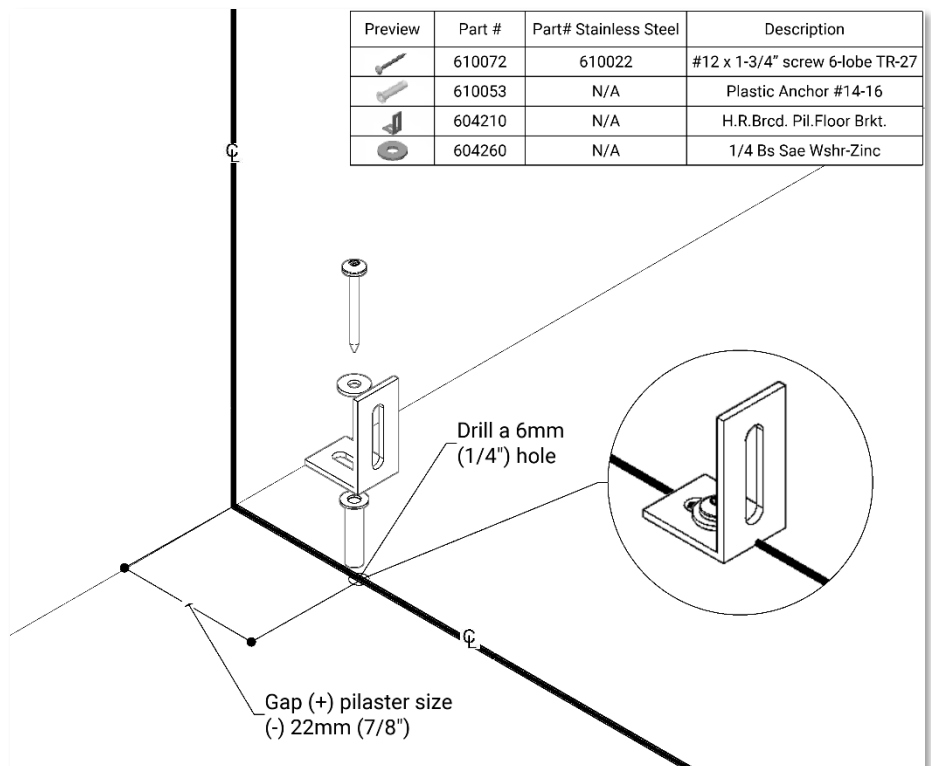
STEP 2 : Fasten Floor Brackets

Drill holes for the floor brackets 22mm (7/8") in from edge of pilaster locations as indicated on the layout drawing.

See page 23 for ceiling hung mounted partition instructions.

See page 24 for floor mounted partition instructions.

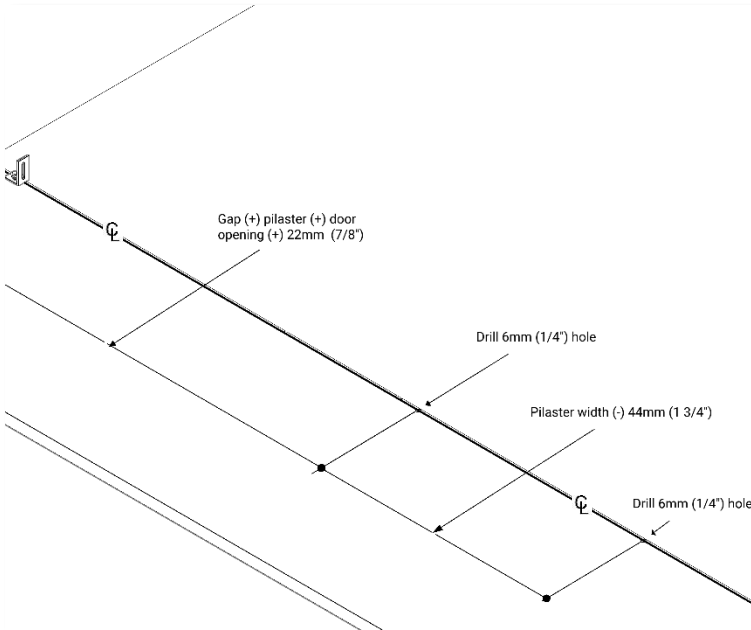
See page 25 for floor to ceiling mounted partition instructions.



Installation Manual for Metal Toilet Partitions – Standard Series





STEP 2.1: Fasten Floor Brackets

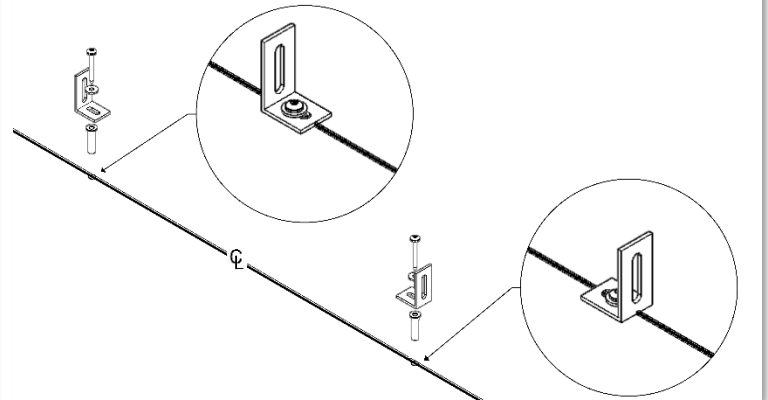
Follow the layout drawings for pilaster locations.



STEP 2.2: Fasten Floor Brackets

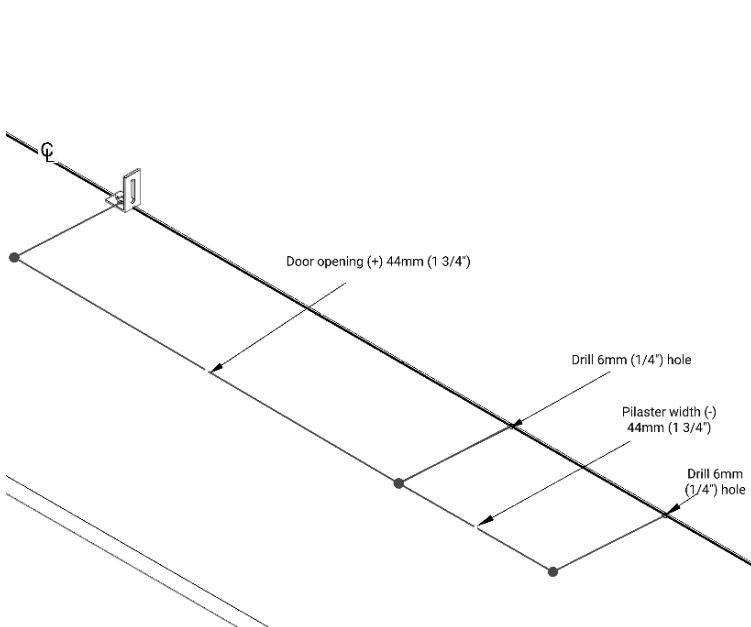
Fasten floor brackets to the floor.

| Preview | Part # | Part# Stainless Steel | Description |
|---|--------|-----------------------|---------------------------------|
|  | 610072 | 610022 | #12 x 1-3/4" screw 6-lobe TR-27 |
|  | 610053 | N/A | Plastic Anchor #14-16 |
|  | 604210 | N/A | H.R.Brod. Pil.Floor Brkt. |
|  | 604260 | N/A | 1/4 Bs Sae Wshr-Zinc |







STEP 2.3 : Fasten Floor Brackets

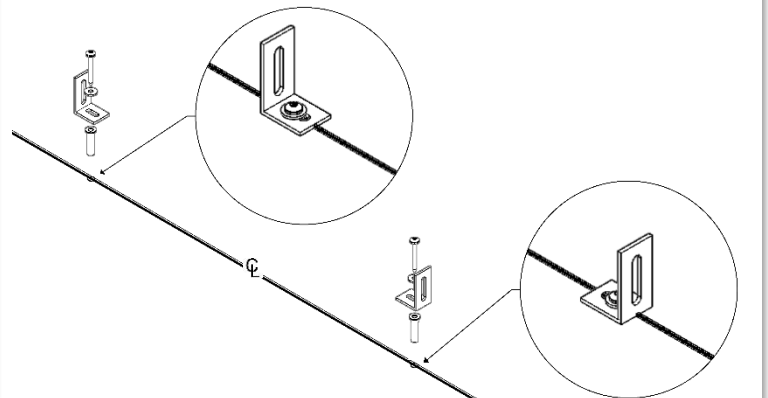
Follow the layout drawings for pilaster locations.



STEP 2.4: Fasten Floor Brackets

Fasten floor brackets to the floor. Repeat steps 2.3 & 2.4 if needed.

| Preview | Part # | Part# Stainless Steel | Description |
|---|--------|-----------------------|---------------------------------|
|  | 610072 | 610022 | #12 x 1-3/4" screw 6-lobe TR-27 |
|  | 610053 | N/A | Plastic Anchor #14-16 |
|  | 604210 | N/A | H.R.Brod. Pil.Floor Brkt. |
|  | 604260 | N/A | 1/4 Bs Sae Wshr-Zinc |



Installation Manual for Metal Toilet Partitions – Standard Series

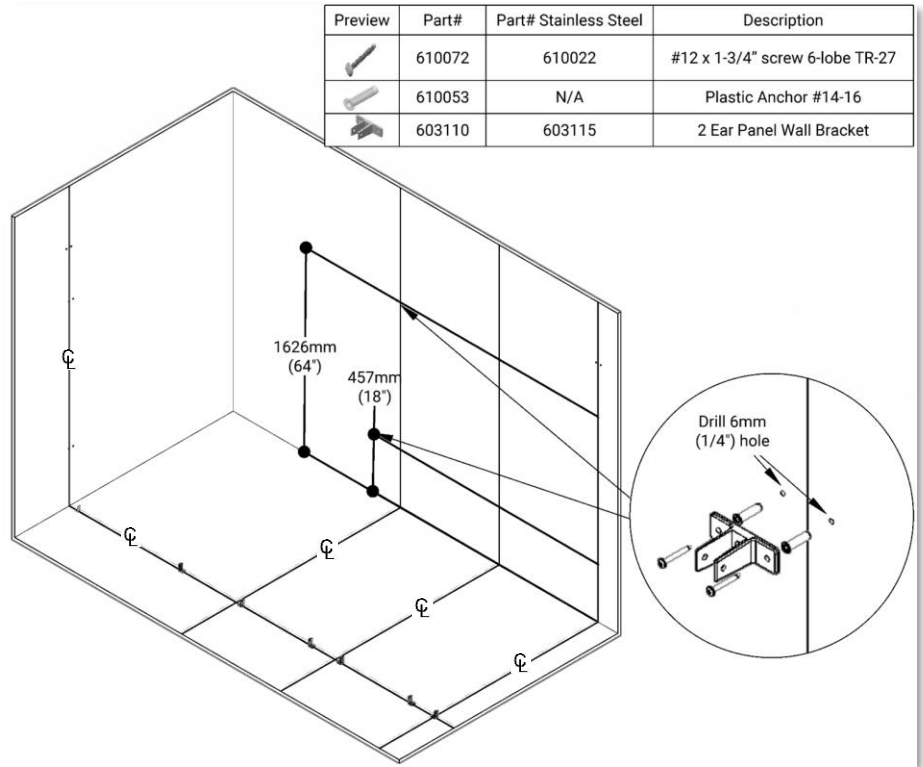
STEP 3: Erect Panel

Using your centerline locations, fasten two 2-ear panel brackets to wall, per panel. Bracket centers should be approximately 457mm (18") and 1626mm (64") from floor*.

Note: Corner units will be provided with single ear brackets.

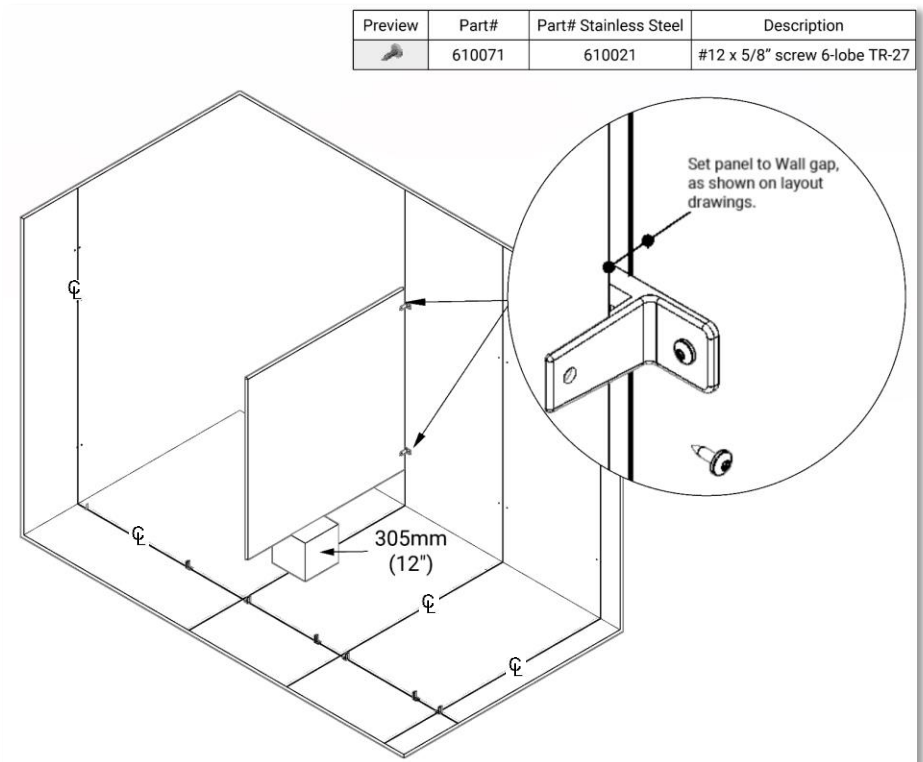
**Adjust based on masonry lines as necessary*

See [page 17 & 18](#) for continuous channel mounting instructions.



STEP 3.1: Erect Panel

Rest panel on 305mm (12") block and position in brackets. Drill one hole through top bracket and fasten. Keep panel on stabilizer block until pilaster has been installed.






Installation Manual for Metal Toilet Partitions – Standard Series

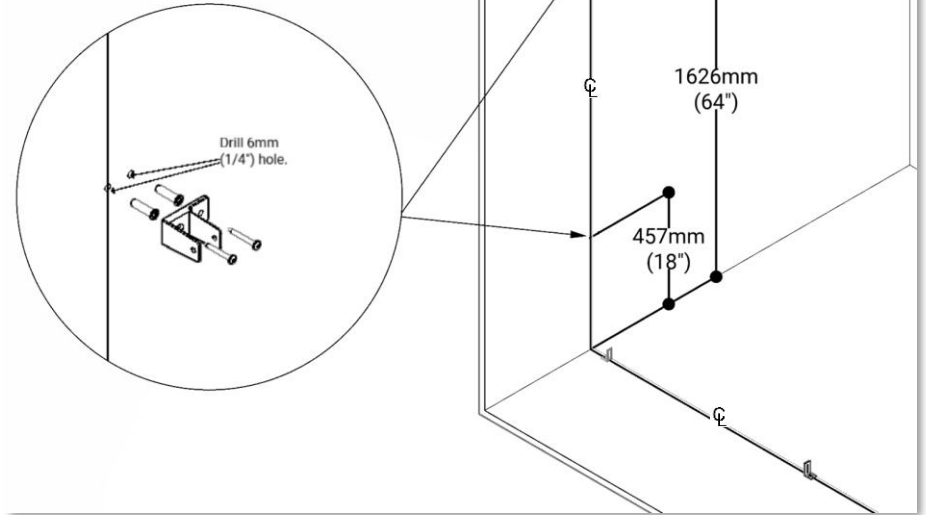
STEP 4: Erect Wall Pilaster

Fasten two single ear pilaster "F" brackets to the wall. Bracket centers should be approximately 457mm (18") and 1626mm (64") from floor*.

**Adjust based on masonry lines as necessary*

See page 17 & 18 for continuous channel mounting instructions.




| Preview | Part# | Part# Stainless Steel | Description |
|---|--------|-----------------------|---------------------------------|
|  | 610072 | 610022 | #12 x 1-3/4" screw 6-lobe TR-27 |
|  | 610053 | N/A | Plastic Anchor #14-16 |
|  | 604110 | 604115 | Bracket 1.25 Pilaster Wall |

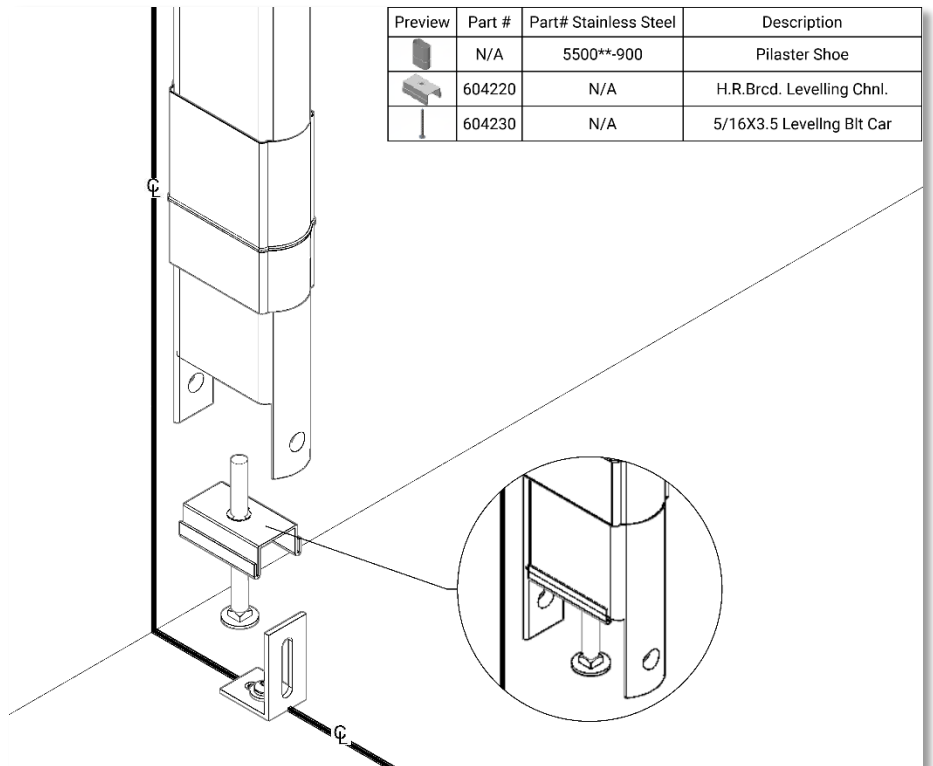


STEP 4.1: Erect Wall Pilaster

Slide shoe onto the pilaster. Position the pilaster in wall brackets and over floor brackets. Install levelling device.

Note: For a better pilaster shoe fit, ensure that the front and back edges of the shoe are parallel to each other. If they are not, then apply hand pressure to the back seam of the shoe until the front and back edges are parallel.




| Preview | Part # | Part# Stainless Steel | Description |
|---|--------|-----------------------|-----------------------------|
|  | N/A | 5500**900 | Pilaster Shoe |
|  | 604220 | N/A | H.R. Brd. Levelling Chnl. |
|  | 604230 | N/A | 5/16X3.5 Levelling Bolt Car |

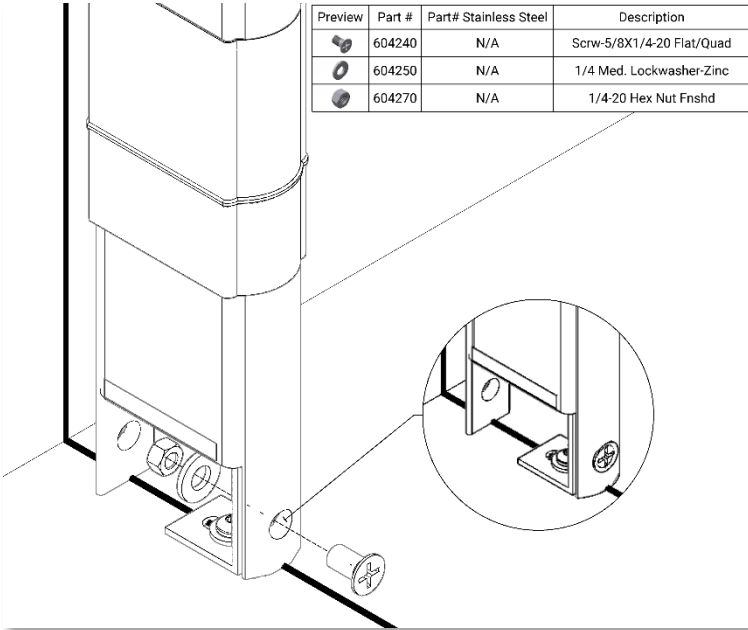


Installation Manual for Metal Toilet Partitions – Standard Series

STEP 4.2: Erect Wall Pilaster


Install the floor bracket hardware and tighten.

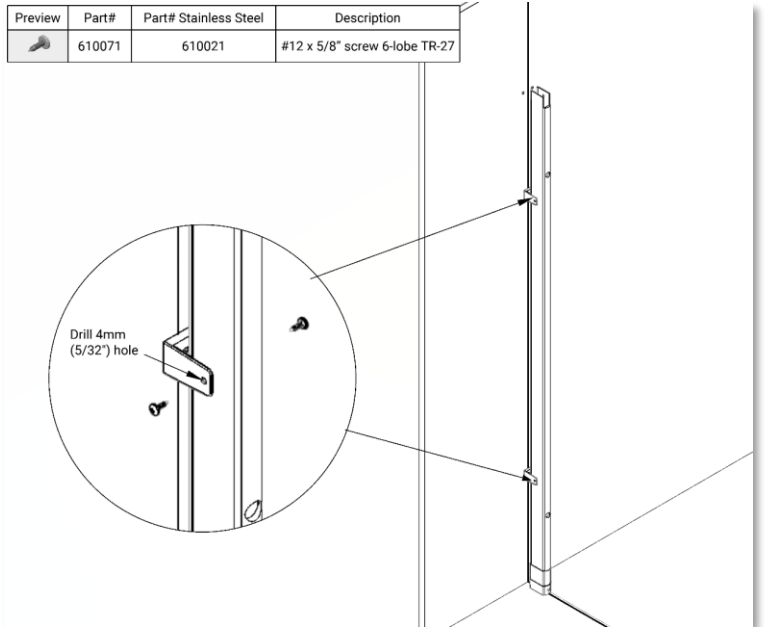
| Preview | Part # | Part# Stainless Steel | Description |
|---|--------|-----------------------|---------------------------|
|  | 604240 | N/A | Scrw-5/8X1/4-20 Flat/Quad |
|  | 604250 | N/A | 1/4 Med. Lockwasher-Zinc |
|  | 604270 | N/A | 1/4-20 Hex Nut Fnshtd |



STEP 4.3: Erect Wall Pilaster

Plumb pilaster and fasten to the pilaster brackets

| Preview | Part# | Part# Stainless Steel | Description |
|---|--------|-----------------------|-------------------------------|
|  | 610071 | 610021 | #12 x 5/8" screw 6-lobe TR-27 |



STEP 5: Prepare Pilaster For Door





Fasten lower hinge to the wall pilaster.

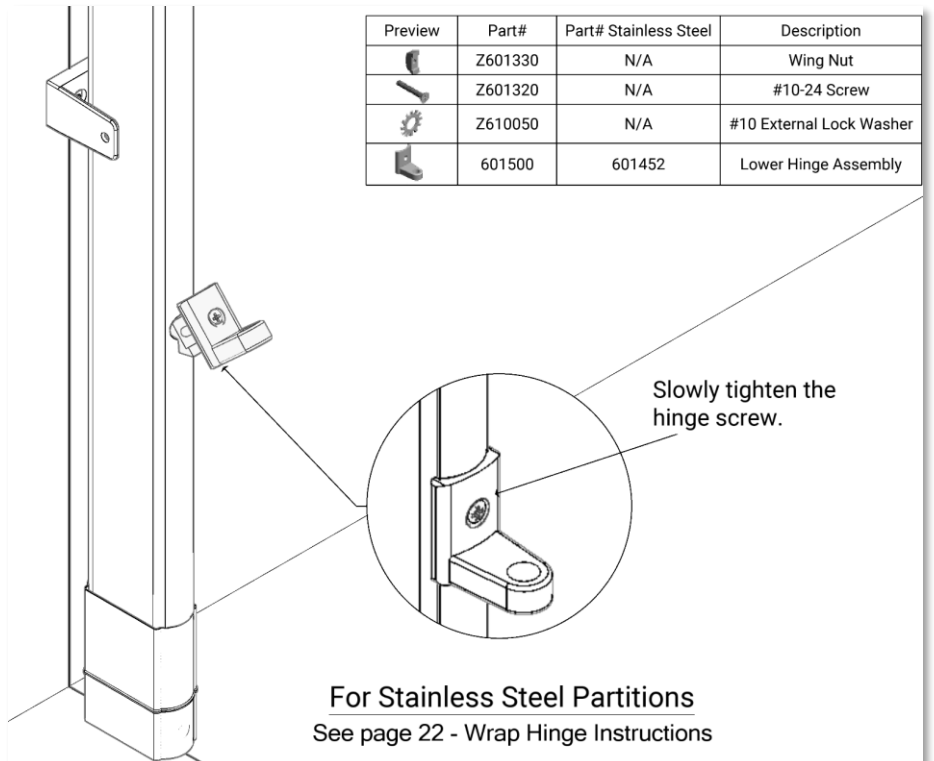
Note: When assembling the hinge hardware, set the wing nut to the bottom of the screw. Position the hinge assembly on a 45deg angle into the pre-drilled hinge hole.

See page 19 for Continuous Stop & Hinge Filler instructions.

See page 21 for Continuous Hinge instructions.

See page 22 for Wrap Hinge instructions

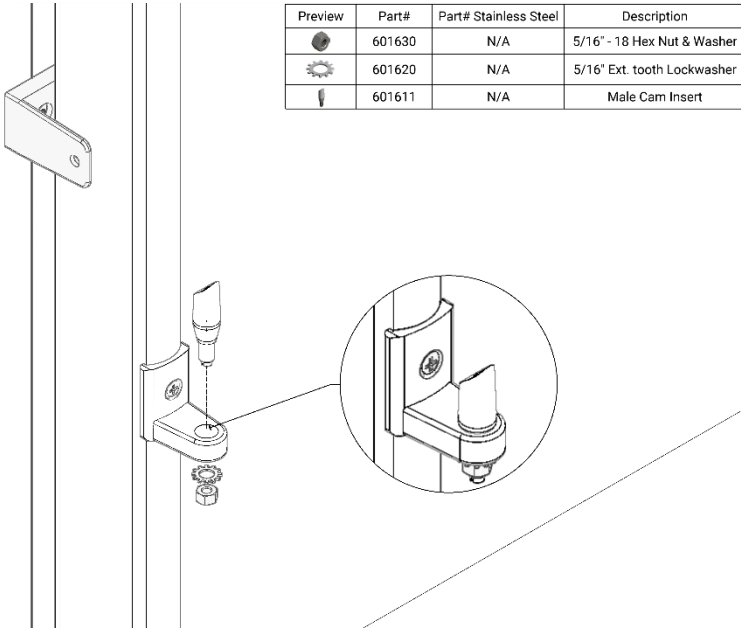
| Preview | Part# | Part# Stainless Steel | Description |
|---|---------|-----------------------|--------------------------|
|  | Z601330 | N/A | Wing Nut |
|  | Z601320 | N/A | #10-24 Screw |
|  | Z610050 | N/A | #10 External Lock Washer |
|  | 601500 | 601452 | Lower Hinge Assembly |



Installation Manual for Metal Toilet Partitions – Standard Series

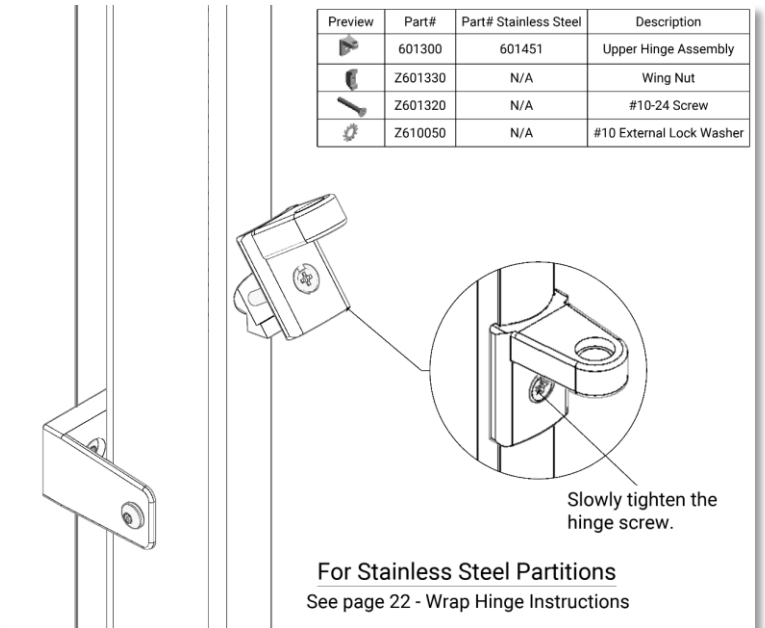
STEP 5.1: Prepare Pilaster For Door

Install and fasten the male cam to lower hinge.



STEP 5.2: Prepare Pilaster For Door

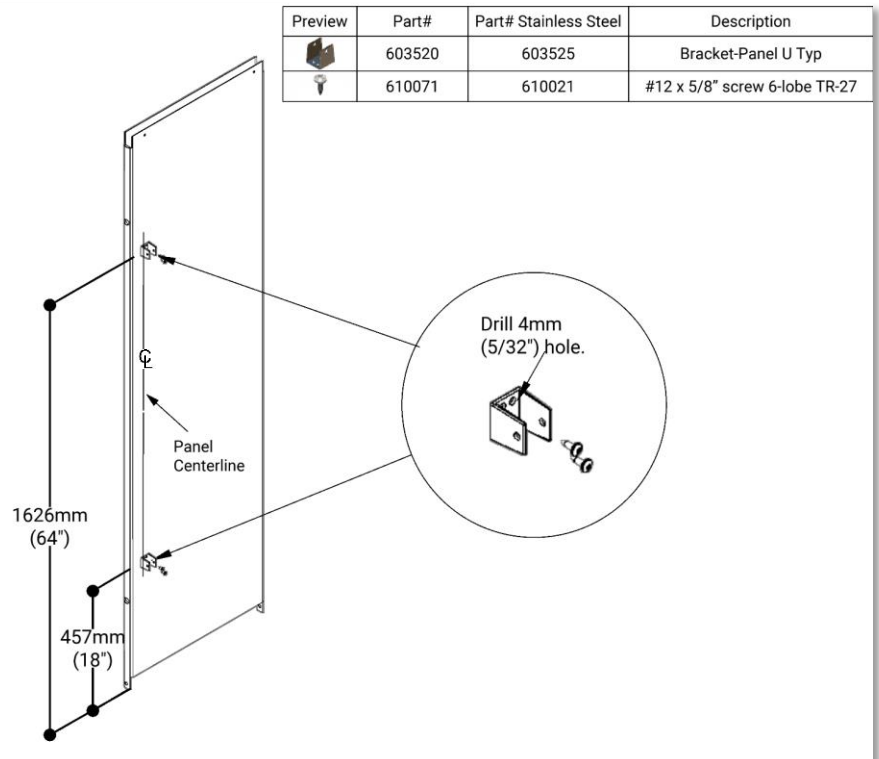
Fasten the upper hinge to pilaster.



STEP 6: Fasten "U" Brackets To Pilaster

Place next pilaster on floor brackets and mark centerline of panel on the back. Mark bracket centers at 457mm (18") and 1626mm (64") from floor. Using the brackets as templates, mark and drill holes.

Remove pilaster from floor brackets and fasten "U" brackets.

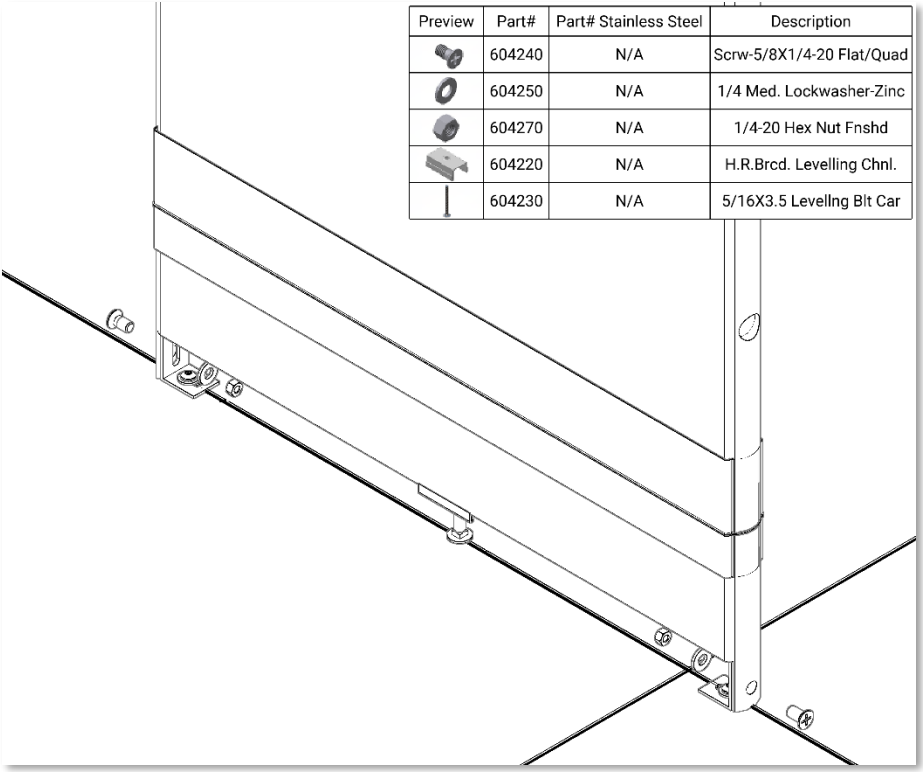


Installation Manual for Metal Toilet Partitions – Standard Series

STEP 7: Erect Pilaster

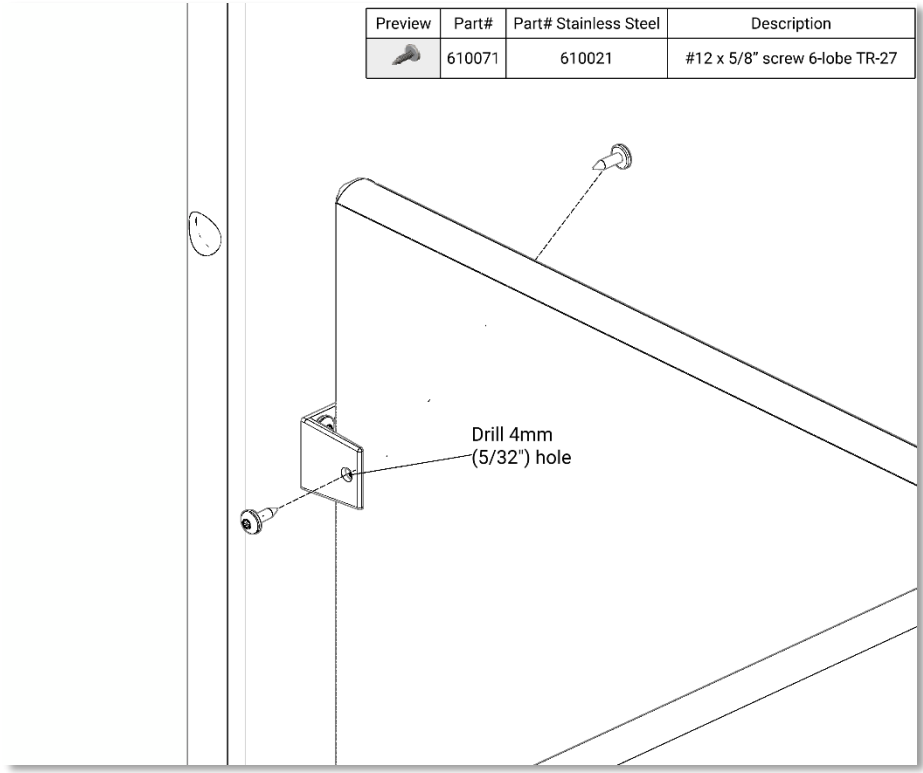
Slide shoe onto the pilaster. Position pilaster over the floor brackets. Adjust pilaster location so the alcove channel grasps panel. Install floor bracket hardware, levelling device and tighten.

Note: For a better pilaster shoe fit, ensure that the front and back edges of the shoe are parallel to each other. If they are not, then apply hand pressure to the back seam of the shoe until the front and back edges are parallel.



STEP 7.1: Erect Pilaster


Plumb panel and pilaster. Secure panel to the pilaster "U" brackets.

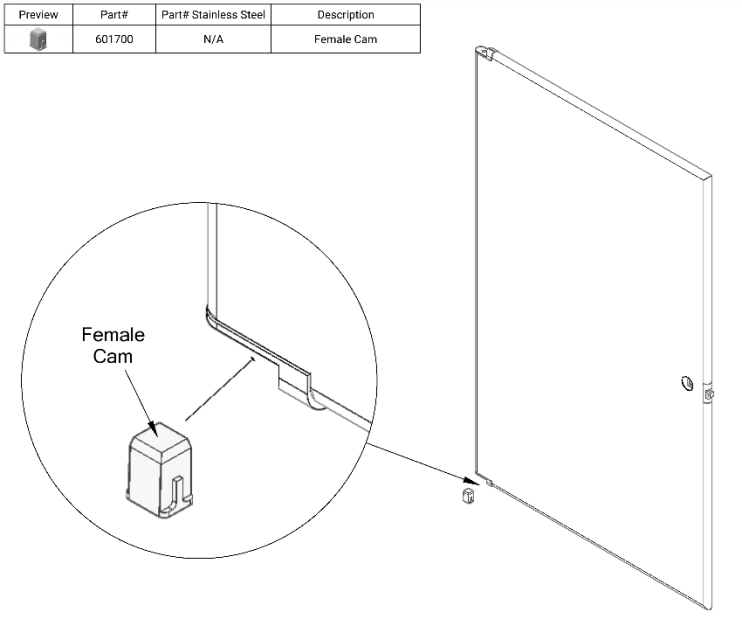


Installation Manual for Metal Toilet Partitions – Standard Series

STEP 8: Prepare Door For Hanging

Insert female cam into the bottom-door hinge casting.

| Preview | Part# | Part# Stainless Steel | Description |
|---|--------|-----------------------|-------------|
|  | 601700 | N/A | Female Cam |




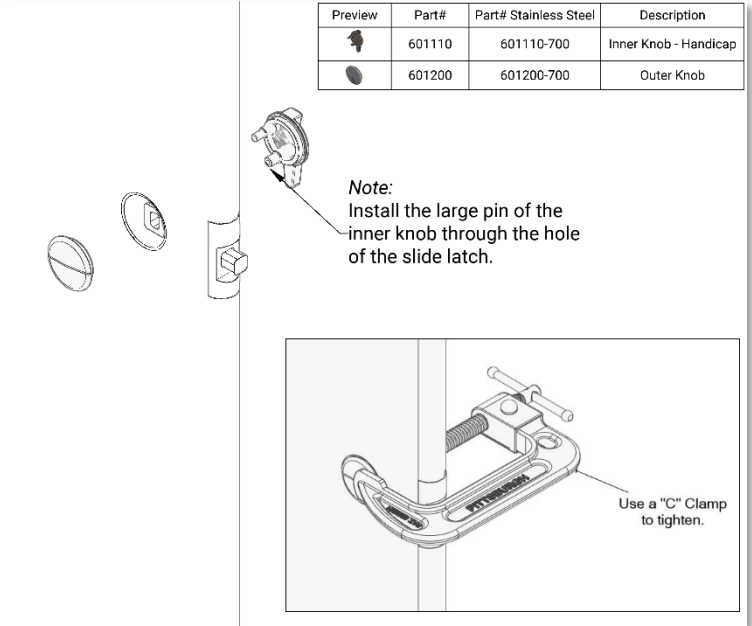
STEP 8.1: Prepare Door For Hanging

Install inner and outer knobs on the door.

See page 20 for Surface Latch instructions



See page 21 for Indicator Latch instructions

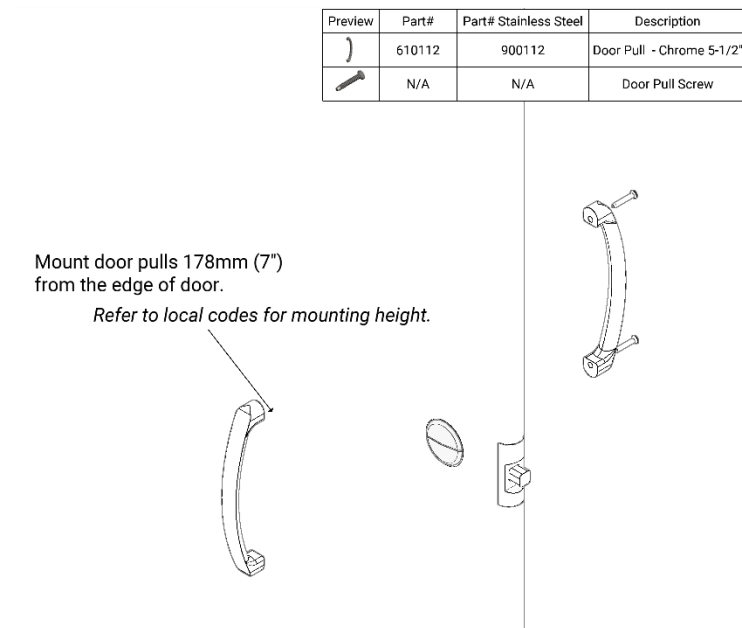
| Preview | Part# | Part# Stainless Steel | Description |
|---|--------|-----------------------|-----------------------|
|  | 601110 | 601110-700 | Inner Knob - Handicap |
|  | 601200 | 601200-700 | Outer Knob |



STEP 8.2: Prepare Door For Hanging




Install the door pulls. For outswing & accessible doors only.

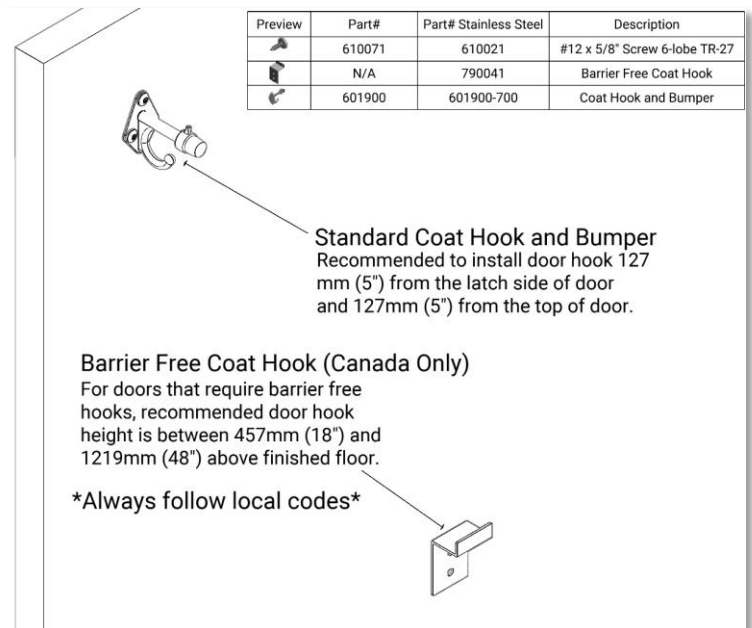
| Preview | Part# | Part# Stainless Steel | Description |
|---|--------|-----------------------|---------------------------|
|  | 610112 | 900112 | Door Pull - Chrome 5-1/2" |
|  | N/A | N/A | Door Pull Screw |



STEP 8.3: Prepare Door For Hanging

Fasten coat hook and bumper to door.

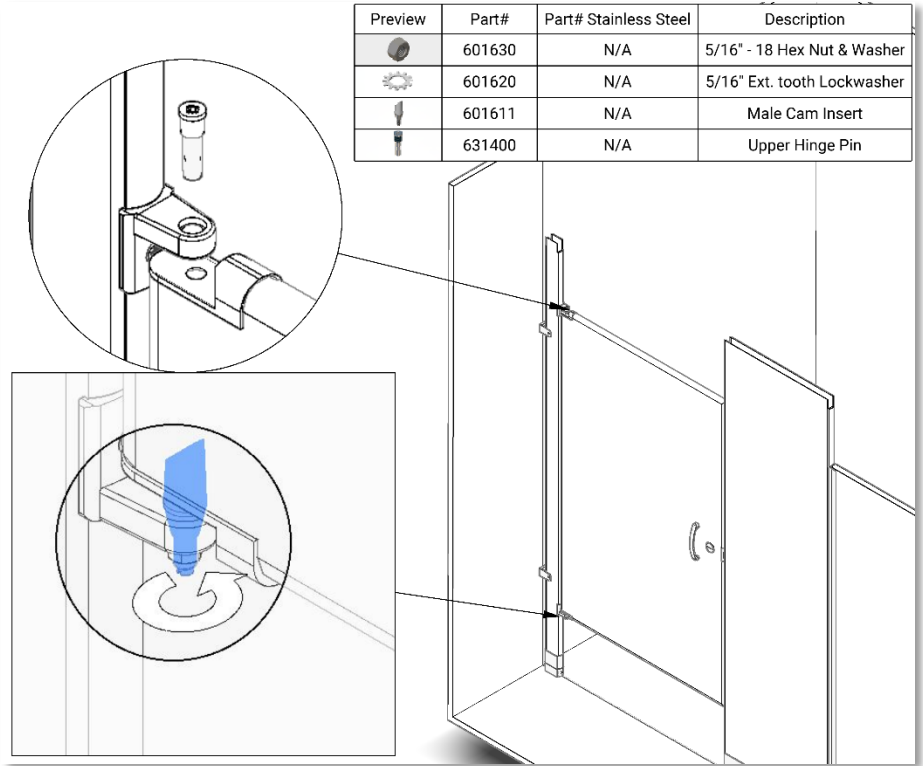
| Preview | Part# | Part# Stainless Steel | Description |
|---|--------|-----------------------|-------------------------------|
|  | 610071 | 610021 | #12 x 5/8" Screw 6-lobe TR-27 |
|  | N/A | 790041 | Barrier Free Coat Hook |
|  | 601900 | 601900-700 | Coat Hook and Bumper |



Installation Manual for Metal Toilet Partitions – Standard Series

STEP 9: Hang Door

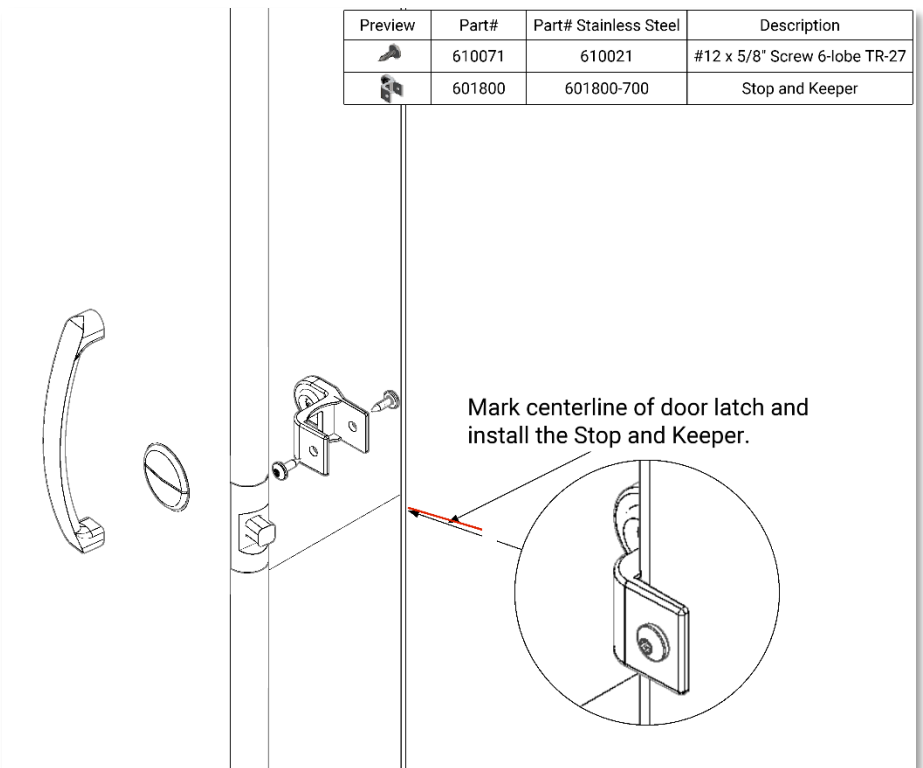
Lower door onto the male cam of the lower hinge. Install threaded upper hinge pin. To set door at required angle, loosen the nut of the male cam assembly, set door at required angle and tighten nut.



STEP 9.1: Hang Door

Fasten Stop & Keeper on the pilaster, ensuring it lines up with the door latch. Reverse Stop & Keeper for inswing doors.

See page 19 for Continuous Stop & Hinge Filler instructions.
See page 20 for Surface Latch instructions
See page 21 for Indicator Latch instructions

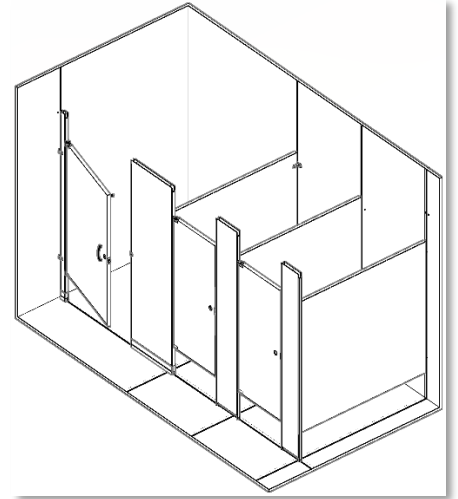
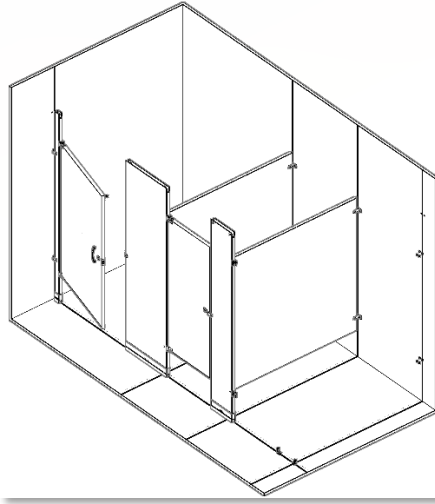


Installation Manual for Metal Toilet Partitions – Standard Series

STEP 10: Erect Remaining Compartments






Ensure all pilasters are fastened to floor brackets, add all remaining fasteners and repeat steps 3-10 (as necessary) for all remaining compartments.

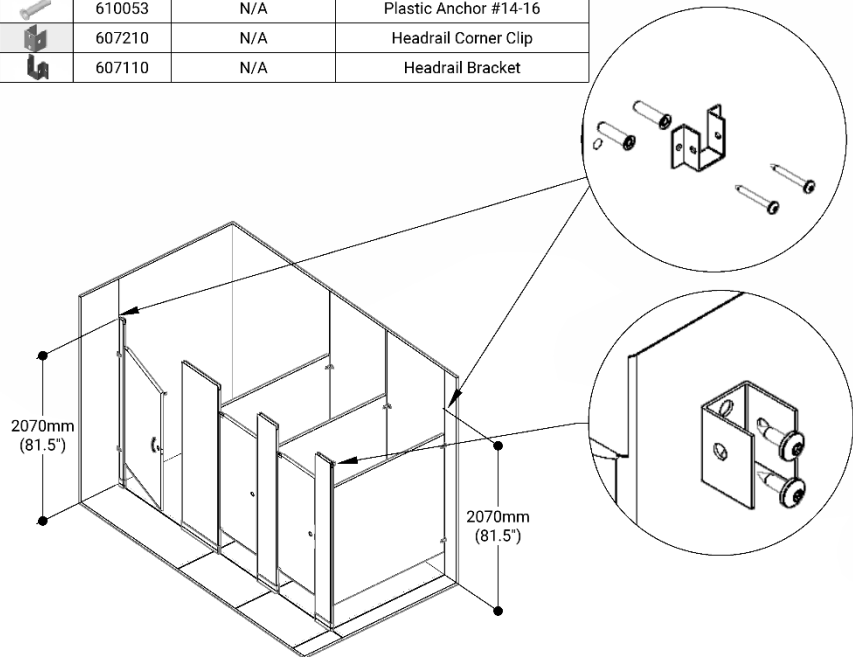
Note: Hadrian recommends installing one compartment (including door) at a time.



STEP 11: Secure Headrail Brackets

Fasten Headrail brackets to the wall approximately 2070mm (81-1/2") above floor (some adjustments may be necessary due to varying floor conditions).

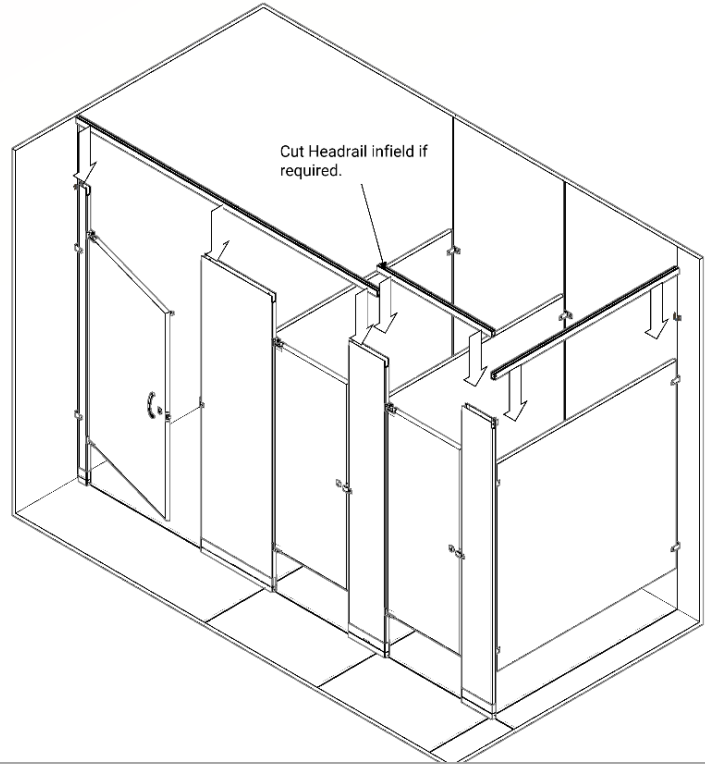
| Preview | Part# | Part# Stainless Steel | Description |
|---|--------|-----------------------|---------------------------------|
|  | 610071 | 610021 | #12 x 5/8" screw 6-lobe TR-27 |
|  | 610072 | 610022 | #12 x 1-3/4" screw 6-lobe TR-27 |
|  | 610053 | N/A | Plastic Anchor #14-16 |
|  | 607210 | N/A | Headrail Corner Clip |
|  | 607110 | N/A | Headrail Bracket |



Installation Manual for Metal Toilet Partitions – Standard Series

STEP 12: Place Headrail



Place Headrail into tops of pilasters and slide into Headrail brackets. Due to the width of some configurations, two or more pieces of Headrail may be required. Splice sections of Headrail on top of pilaster.

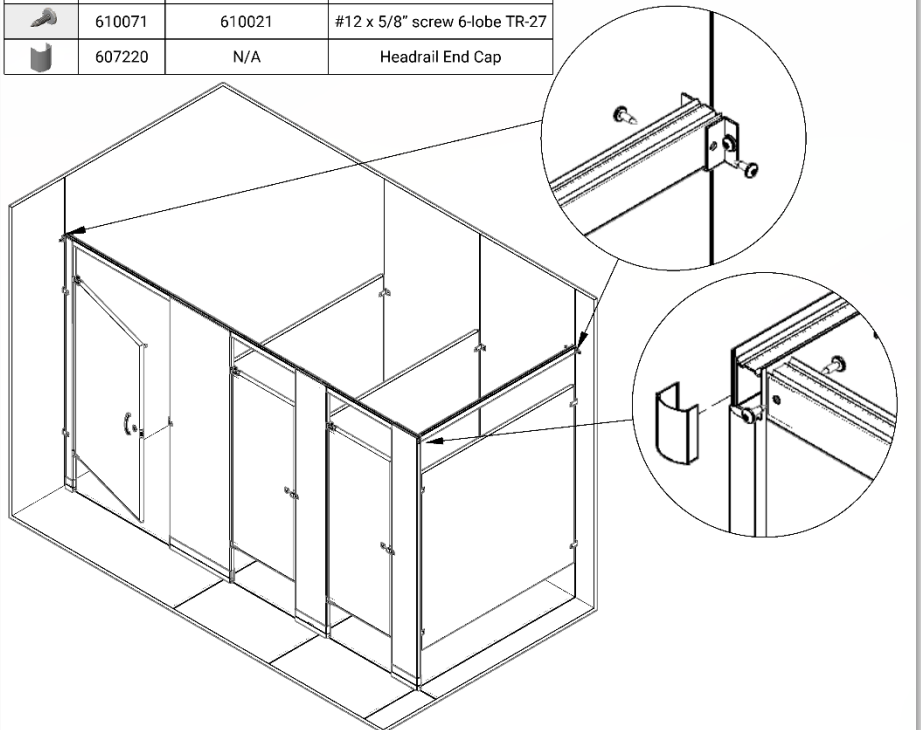


STEP 12.1: Place Headrail

Fasten Headrail to the Headrail wall brackets. Install Headrail end cap if required.

Adjust levelling devices to level all compartment components and tighten.

| Preview | Part# | Part# Stainless Steel | Description |
|---|--------|-----------------------|-------------------------------|
|  | 610071 | 610021 | #12 x 5/8" screw 6-lobe TR-27 |
|  | 607220 | N/A | Headrail End Cap |

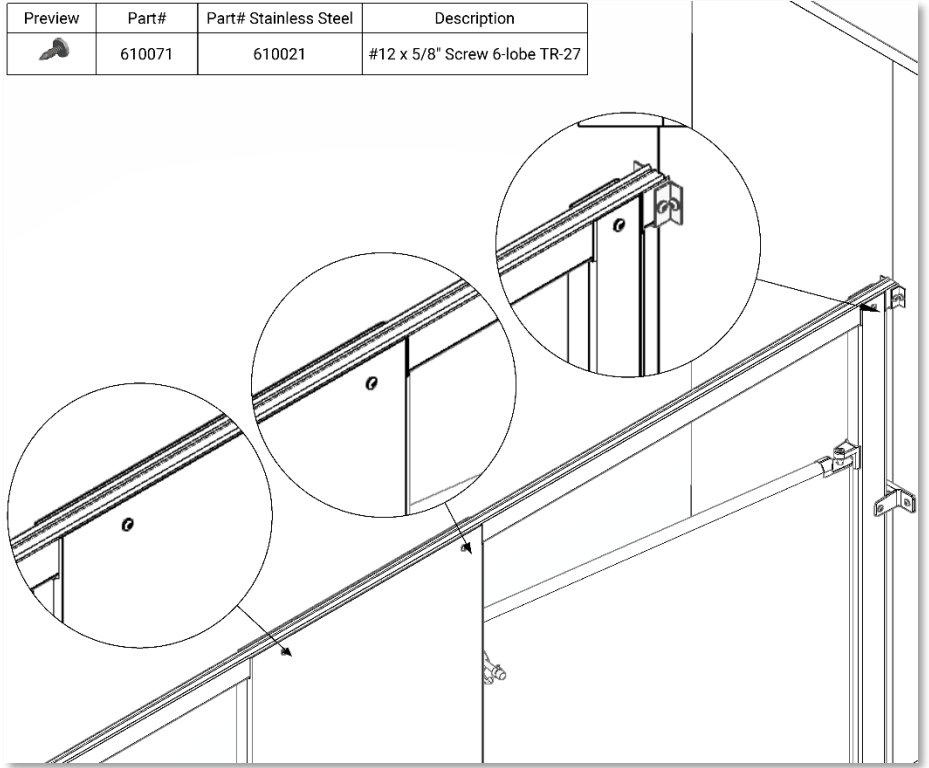


Installation Manual for Metal Toilet Partitions – Standard Series

STEP 12.2: Place Headrail

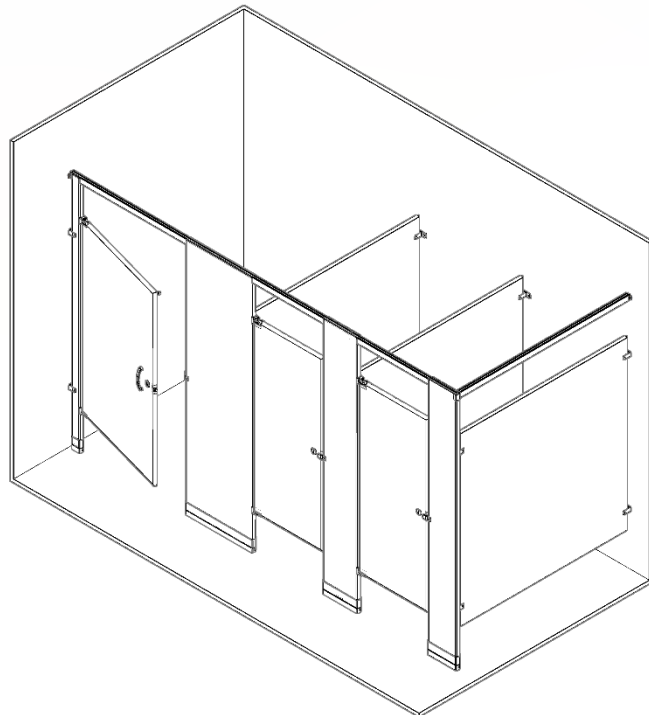
Fasten Headrail to pilasters. Use one screw for pilasters under 8" wide and two screws for pilasters over 8" wide. Fasten screws on interior of partitions only.

| Preview | Part# | Part# Stainless Steel | Description |
|---|--------|-----------------------|-------------------------------|
|  | 610071 | 610021 | #12 x 5/8" Screw 6-lobe TR-27 |



STEP 12.3: Place Headrail


Drill all remaining panel and pilaster holes and fasten to brackets.

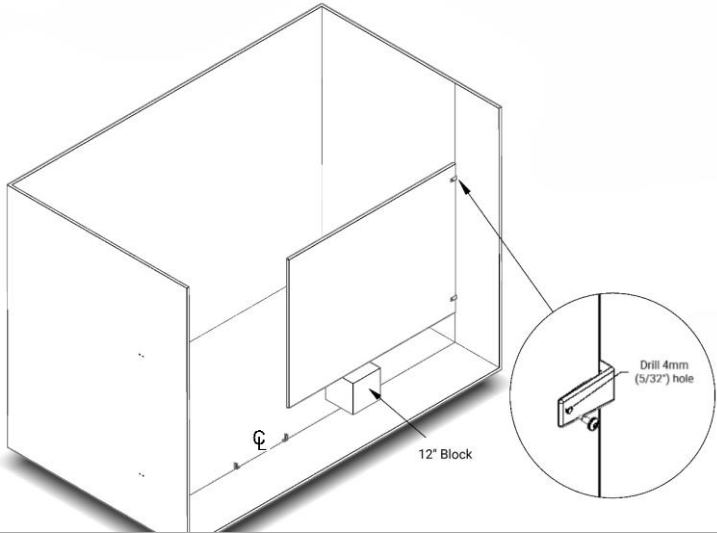


Installation Manual for Metal Toilet Partitions – Standard Series

Appendix A-1 - Alcove Unit

Rest panel on 305mm (12") block and position in brackets. Drill one hole through top bracket and fasten. Keep the panel on stabilizer block until middle pilaster has been installed.


| Preview | Part# | Part# Stainless Steel | Description |
|---|--------|-----------------------|-------------------------------|
|  | 610071 | 610021 | #12 x 5/8" Screw 6-lobe TR-27 |

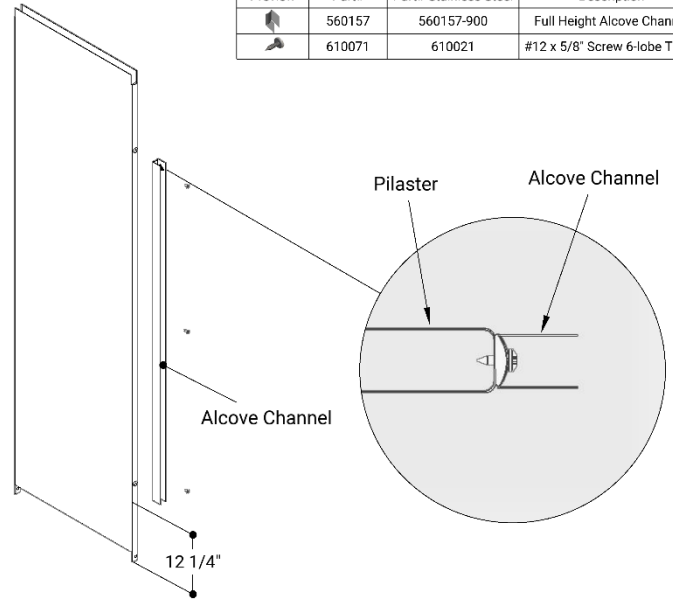


Appendix A-2 - Alcove Unit

Position alcove channel 311mm (12 1/4") from bottom of the pilaster. Concave side of alcove channel mounts to pilaster. Secure with a minimum of three screws.

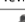
Follow Step 7 for pilaster mounting instructions.

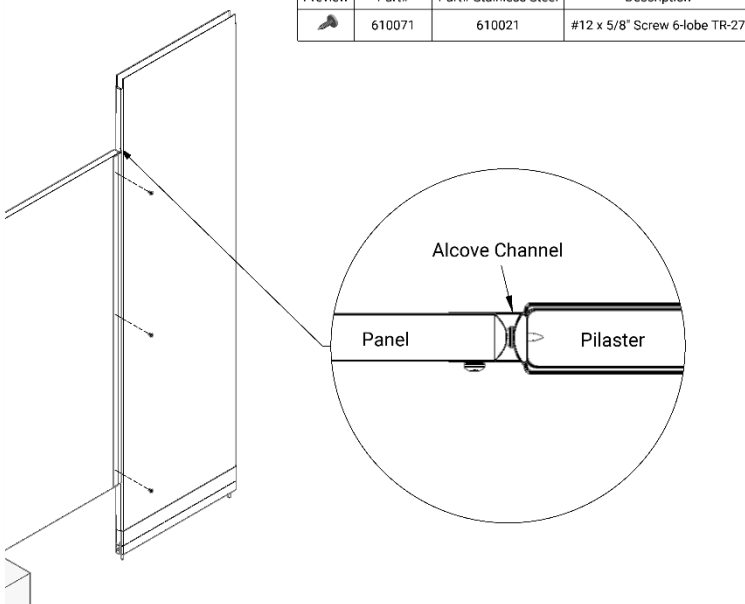
| Preview | Part# | Part# Stainless Steel | Description |
|---|--------|-----------------------|-------------------------------|
|  | 560157 | 560157-900 | Full Height Alcove Channel |
|  | 610071 | 610021 | #12 x 5/8" Screw 6-lobe TR-27 |



Appendix A-3 - Alcove Unit

Plumb panel and pilaster. Secure panel to the alcove channel with a minimum of three screws on the inside of the unit.

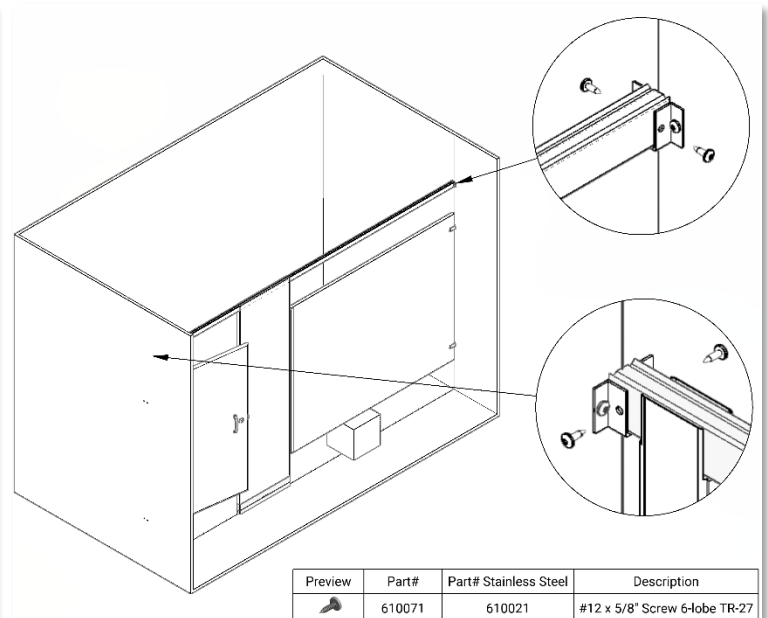
| Preview | Part# | Part# Stainless Steel | Description |
|---|--------|-----------------------|-------------------------------|
|  | 610071 | 610021 | #12 x 5/8" Screw 6-lobe TR-27 |

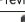


Appendix A-4 - Alcove Unit

Fasten Headrail to the Headrail wall brackets.

Adjust levelling devices to level all compartment components and tighten. Follow Steps 4, 5, 8 and 9 for pilaster and door mounting instructions.



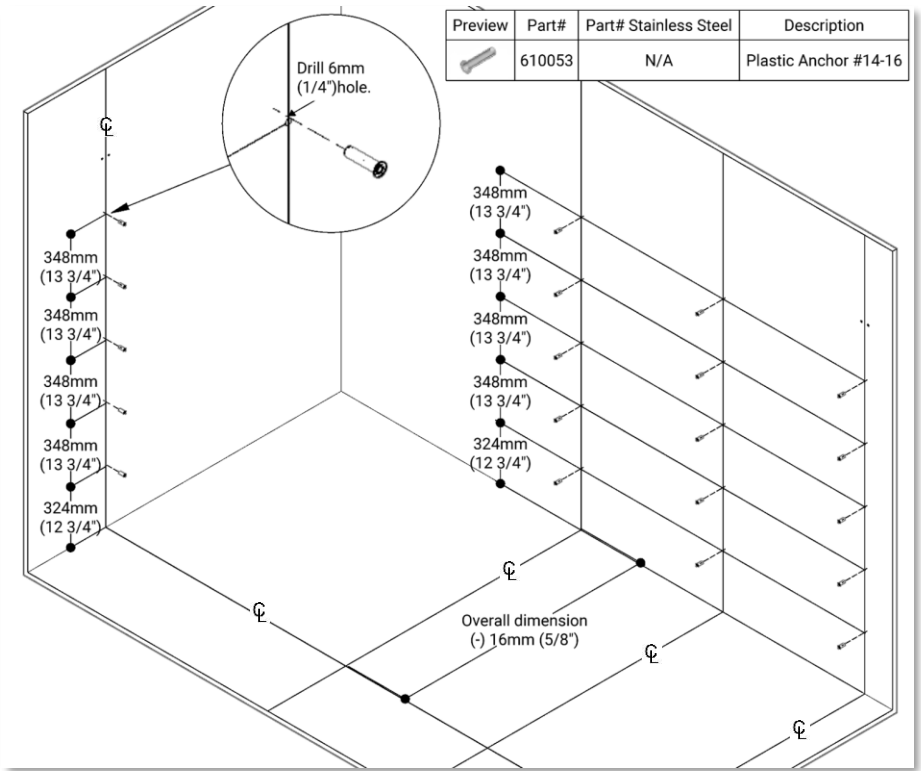
| Preview | Part# | Part# Stainless Steel | Description |
|---|--------|-----------------------|-------------------------------|
|  | 610071 | 610021 | #12 x 5/8" Screw 6-lobe TR-27 |

Installation Manual for Metal Toilet Partitions – Standard Series

Appendix B-1 - Continuous Channel Option

Using your centerline locations, measure, pre-drill and install plastic anchors.

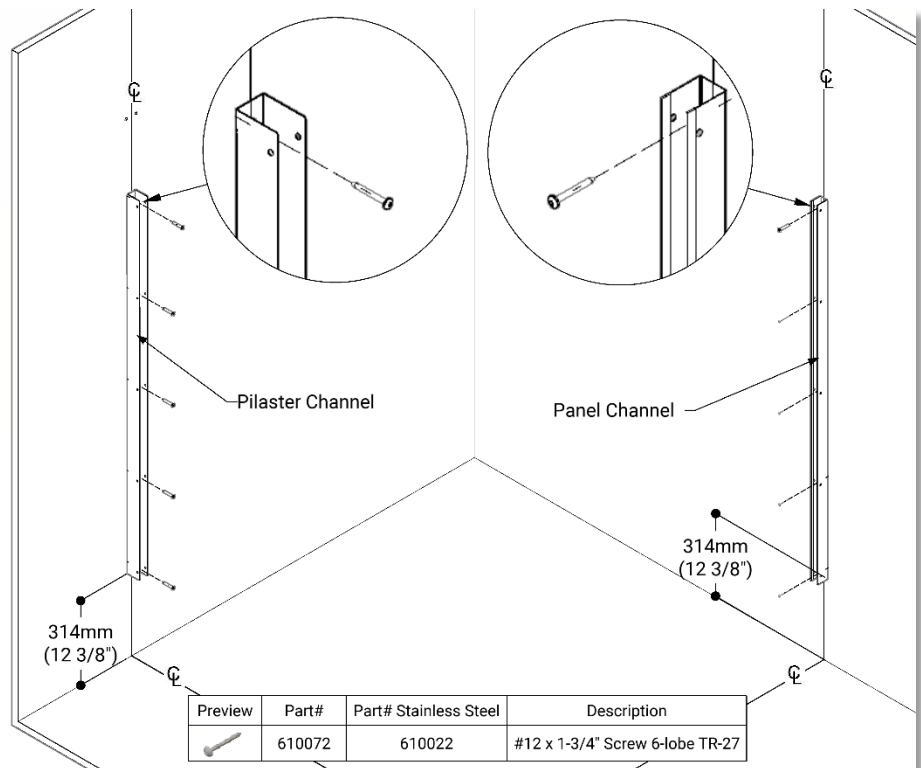
**Adjust based on masonry lines as necessary*



Appendix B-2 - Continuous Channel Option

Fasten wall channels to wall. The bottom of the channel should be 314mm (12-3/8") from the floor.

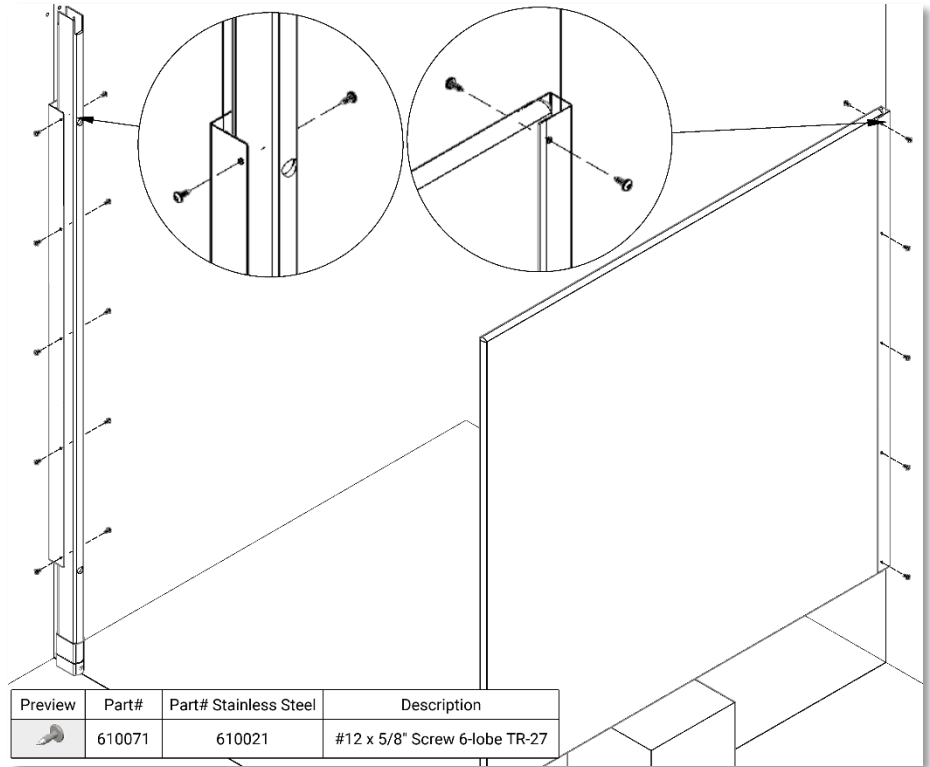
Note: Stainless Steel channels are pre-drilled.



Installation Manual for Metal Toilet Partitions – Standard Series

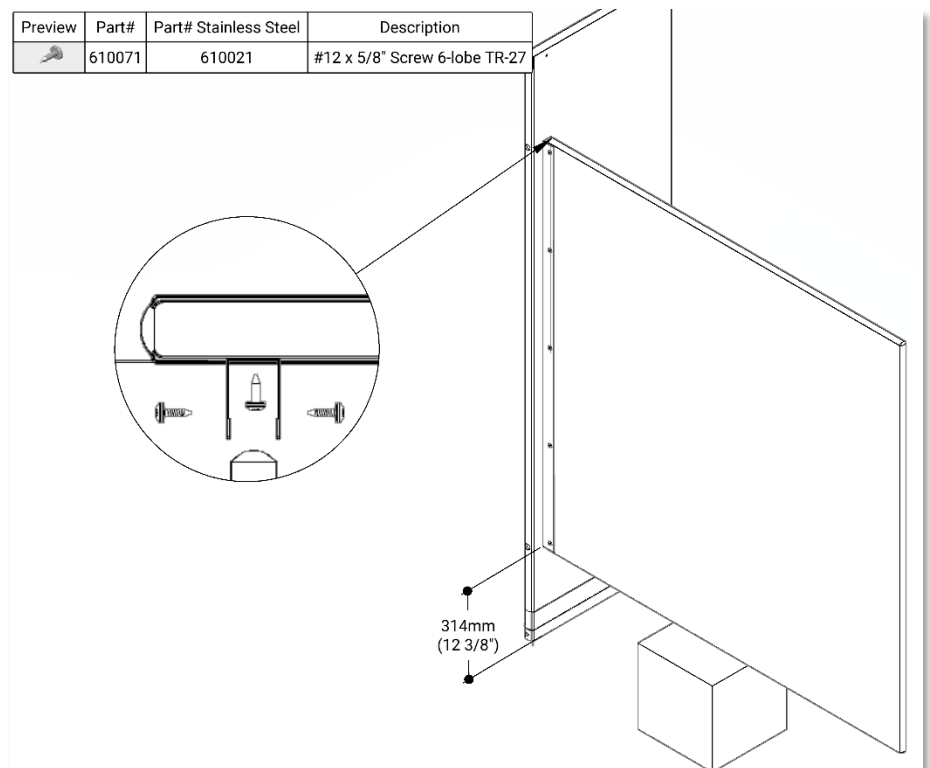
Appendix B-3 - Continuous Channel Option

Fasten wall channels to wall pilaster and panel.



Appendix B-4 - Continuous Channel Option

Place pilaster on floor brackets and mark centerline of panel on the back. Mark channel centers starting at 314mm (12-3/8") from finished floor. Using the channel as a template, mark and drill holes.

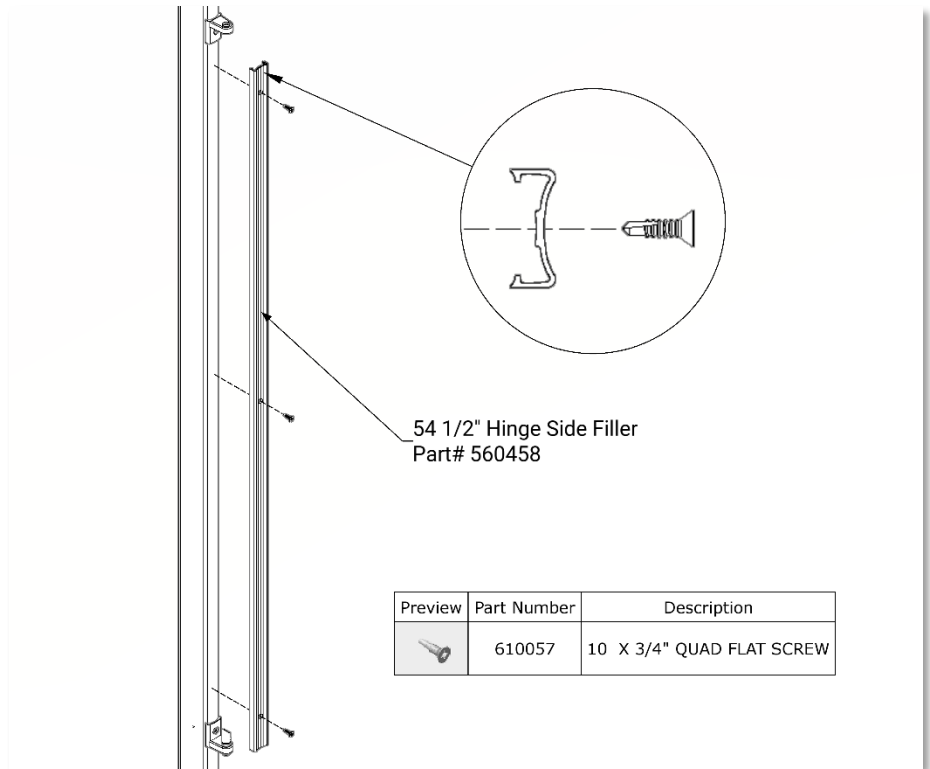


Installation Manual for Metal Toilet Partitions – Standard Series

Appendix C-1 - Doors With Hinge Side Filler

Fasten upper and lower hinges to pilaster. (As shown in Step 5).

Place hinge side filler between hinges, pre-drill pilaster with 4mm (5/32") pilot holes and install fasteners.

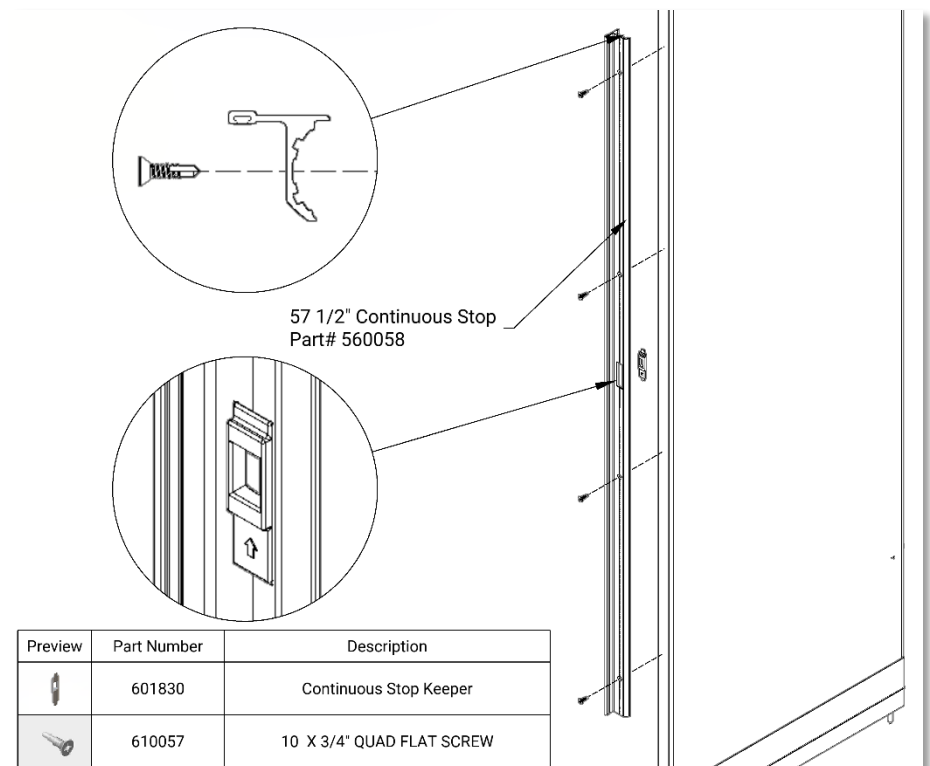


Appendix C-2 - Doors With Continuous Stop

Place continuous stop on pilaster, ensuring the top lines up with the locking bar (trim) seam on the top of the door.

Pre-drill pilaster with 4mm (5/32") pilot holes and install fasteners.

Note: The arrow on the Stop Keeper **must** point upwards for the latch to line up with the keeper.

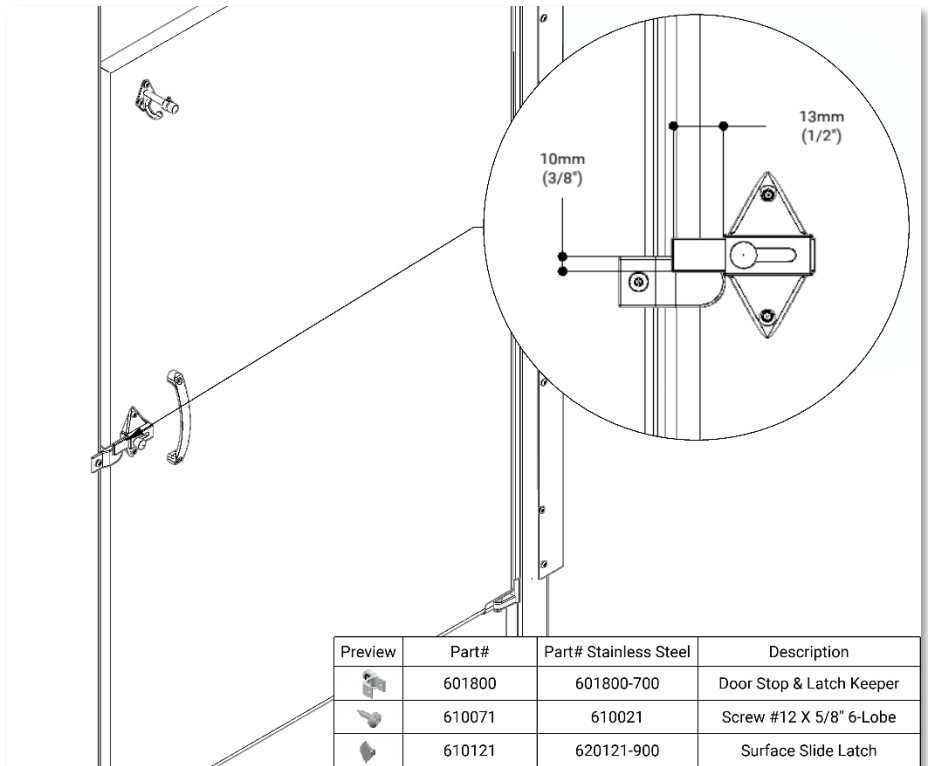


Installation Manual for Metal Toilet Partitions – Standard Series

Appendix D-1 - Surface Mounted Latches (Out-swing)

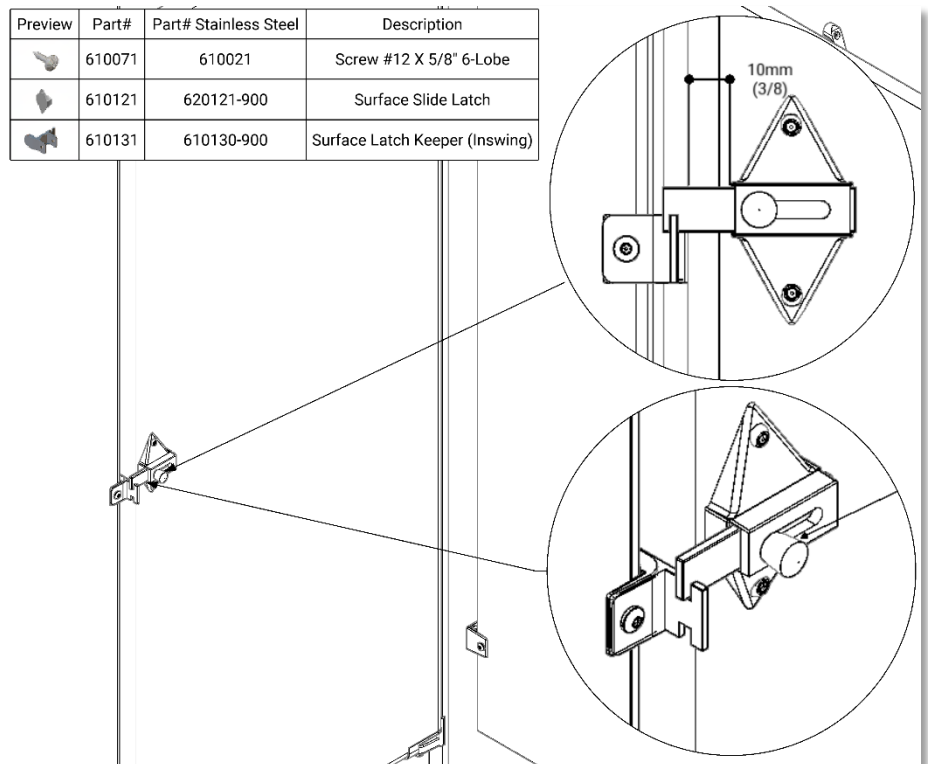
Install surface mounted latch 13mm (1/2") from the door edge and install the Stop & Latch Keeper so it catches a maximum of 10mm (3/8"). The catch position is important to allow the door to lift for emergency access.

Note: Fasten the surface mounted latch with Barrel Screw & Barrel Nut. Part #'s 620123 & 620124.



Appendix D-2 - Surface Mounted Latches (In-swing)

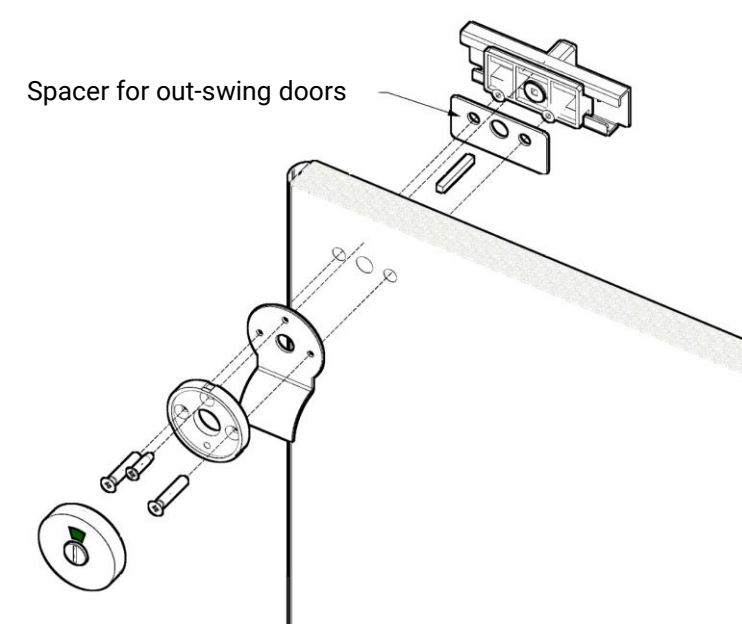
Install surface mounted latch 13mm (3/8") from the door edge and install the Stop & Latch Keeper so it catches the top of Keeper. The catch position is important to allow the door to lift for emergency access.



Installation Manual for Metal Toilet Partitions – Standard Series

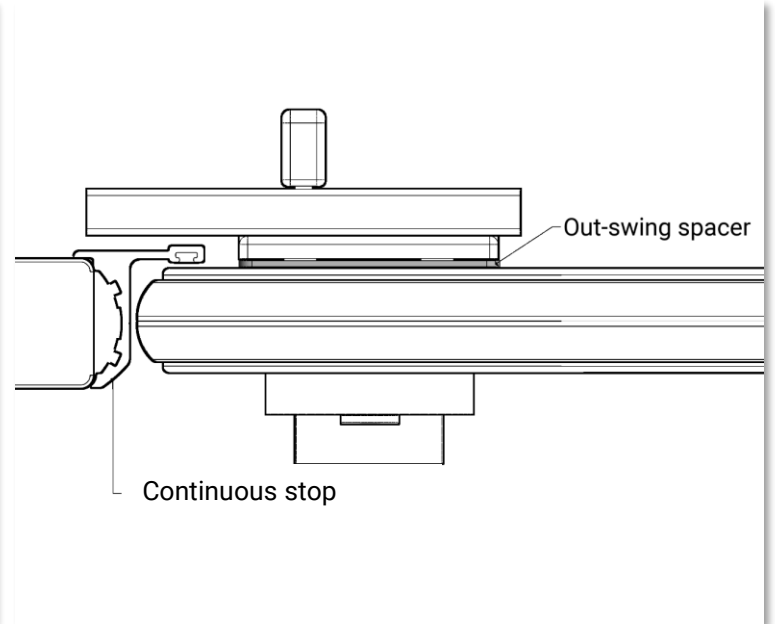
Appendix E-1 – Indicator Latch

Install indicator latch keeper as shown.



Appendix E-2 – Indicator Latch (Out-swing)

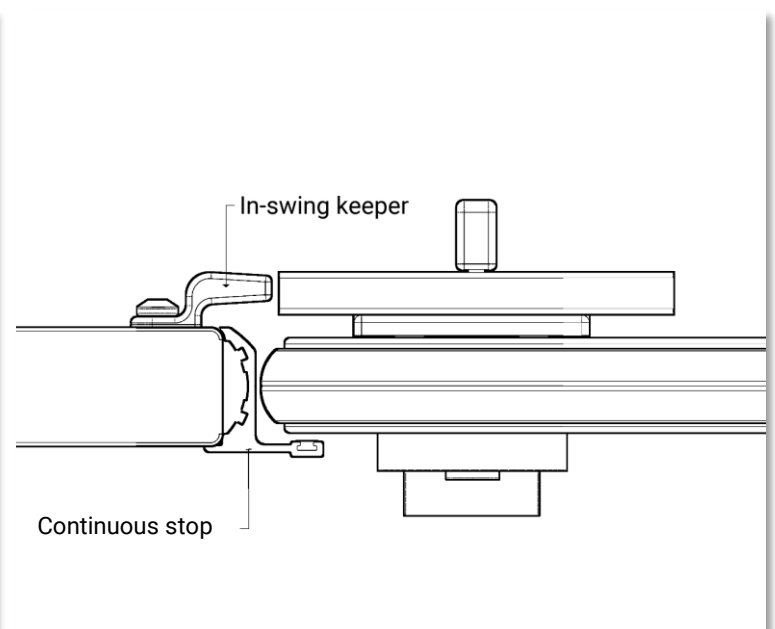
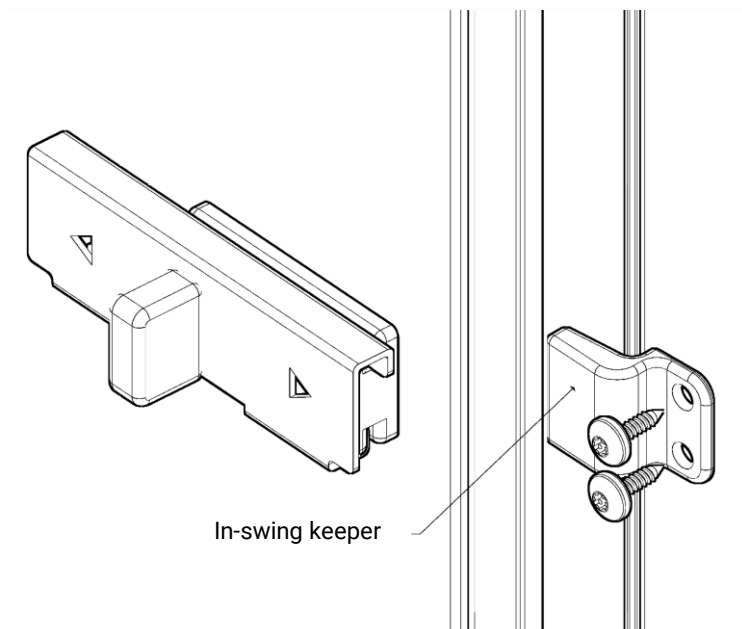
Out-swing doors will use the continuous stop as the keeper. Out-swing spacer to be installed to allow the latch to clear the continuous stop.



Appendix E-3 – Indicator Latch (In-swing)

Line up the in-swing keeper with the latch.

Before fastening the keeper to the pilaster, ensure the door does not hit the keeper when opening. The door should clear the keeper by 1/32".

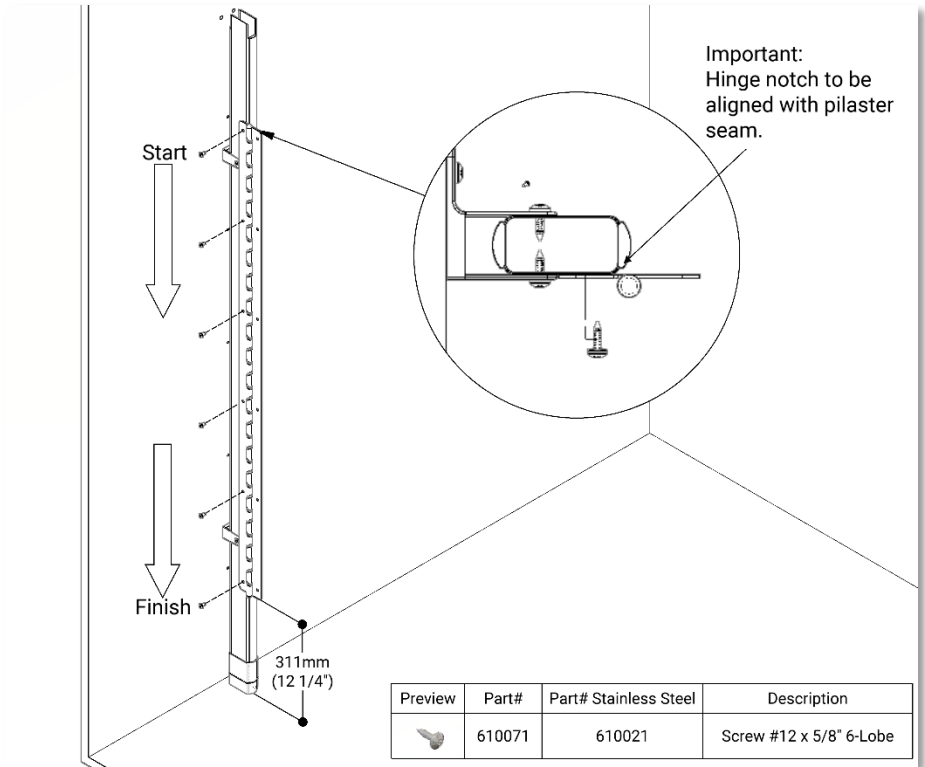


Installation Manual for Metal Toilet Partitions – Standard Series

Appendix F-1 - Continuous Hinge

Mount hinge 311mm to pilaster (12 ¼") above the finished floor. Align the hinge notch with the seam edge of pilaster. Plumb the hinge and fasten.

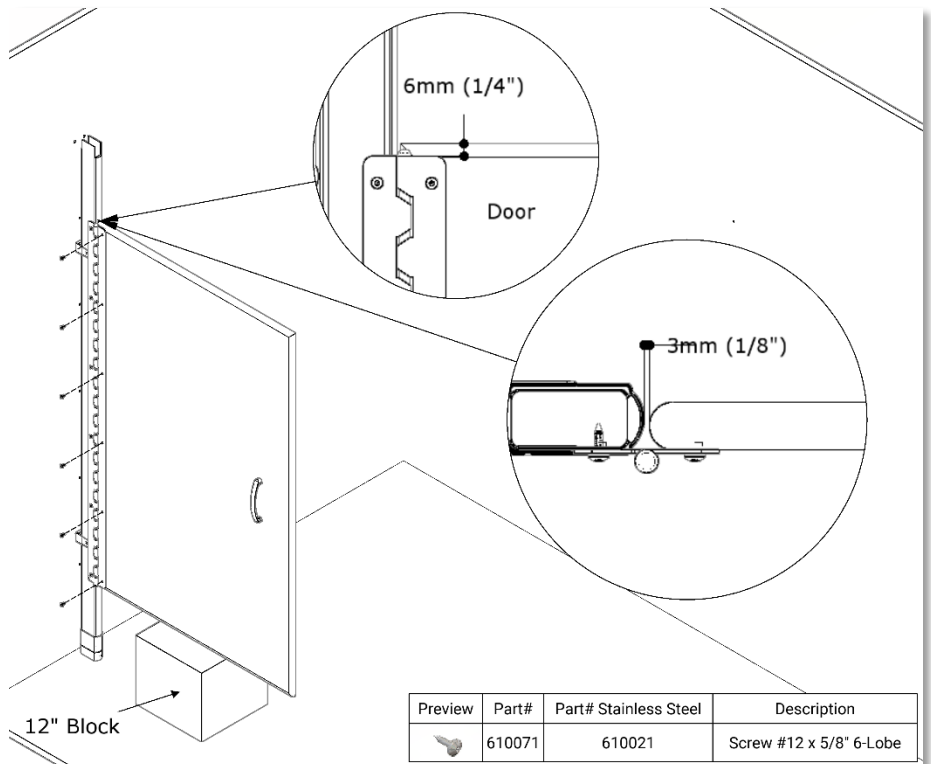
Note:
Fasten the screws starting at the top of the hinge and finish at the bottom. The hinge must be installed plumb to work correctly.



Appendix F-2 - Continuous Hinge

Use a 305mm (12") block to position the door. Align the top of the hinge 6mm (1/4") from the top of the door edge and 3mm (1/8") from the pilaster edge. Plumb door and fasten the door to the hinge.

Note:
The hinge must be installed plumb to work correctly.



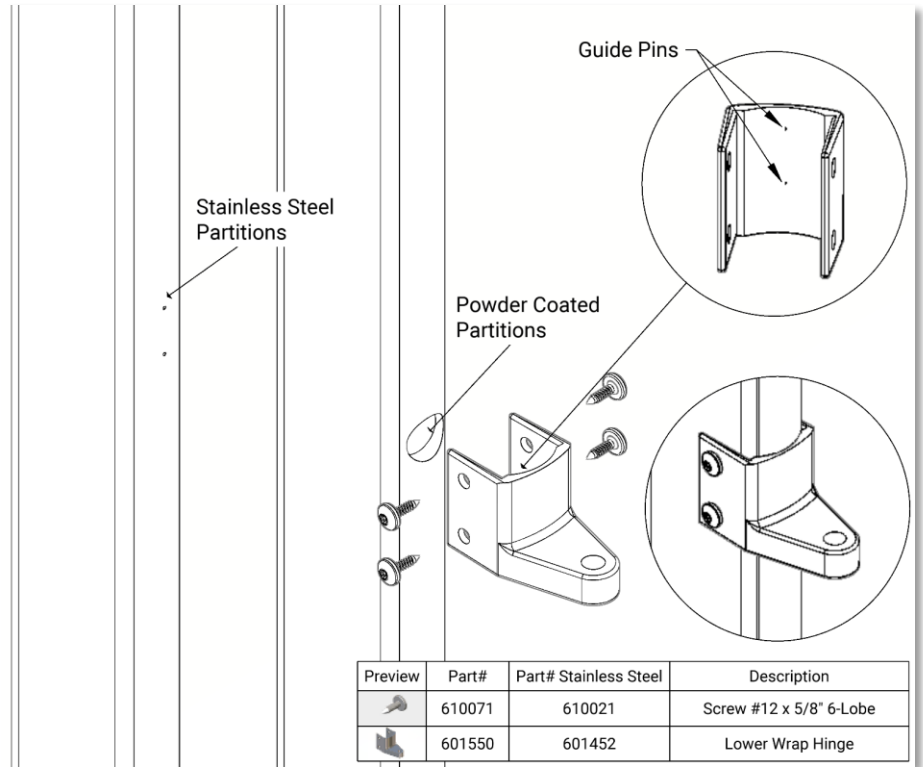
Installation Manual for Metal Toilet Partitions – Standard Series

Appendix G-1 - Wrap Hinge

Install lower hinge by lining up the guide pins with the pre-drilled hinge hole on the pilaster and fasten.

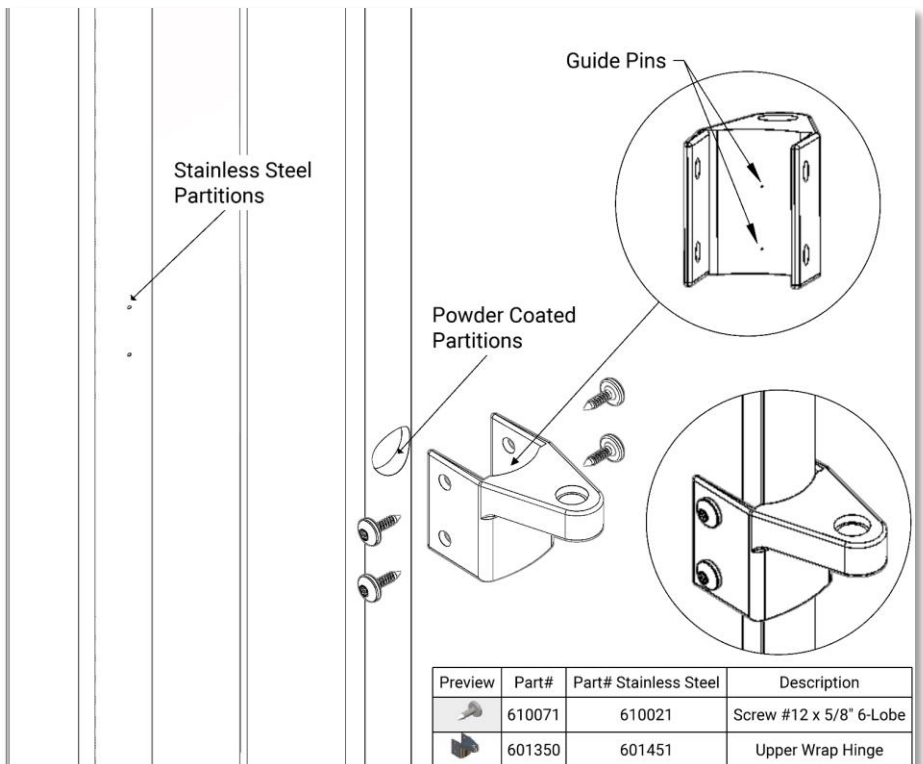
Note:

Stainless Steel pilaster will have two small guide holes vs powder coated, which has a 7/8" hole.



Appendix G-2 - Wrap Hinge

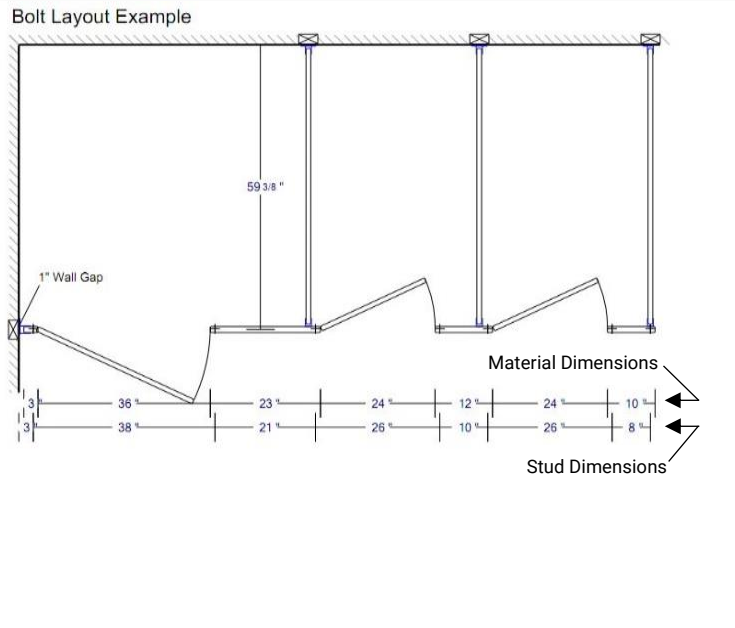
Install upper hinge by lining up the guide pins with the pre-drilled hinge hole on the pilaster and fasten.



Installation Manual for Metal Toilet Partitions – Standard Series

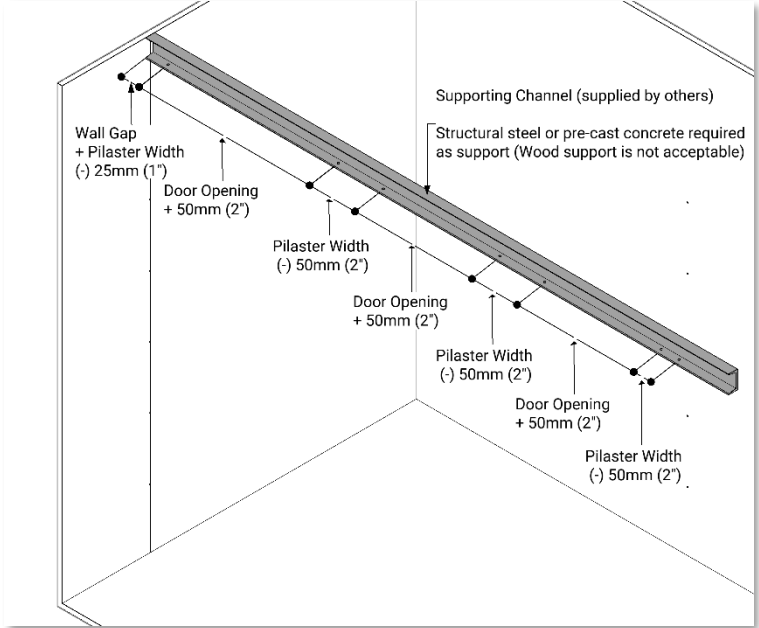
Appendix H-1 - Ceiling Hung Pilaster Establish Ceiling Stud Locations

Establish front centerline by taking the overall compartment dimension and deducting 16mm (5/8"). Use final layout drawings to determine locations.



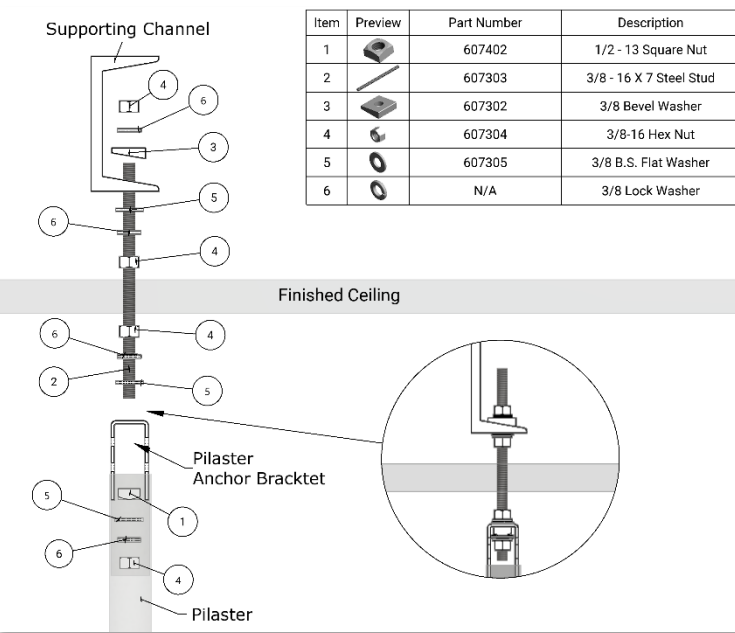
Appendix H-2 - Ceiling Hung Pilaster Establish Ceiling Stud Locations

Drill holes for ceiling studs 25mm (1") in from edge of pilaster locations as indicated on layout drawings.



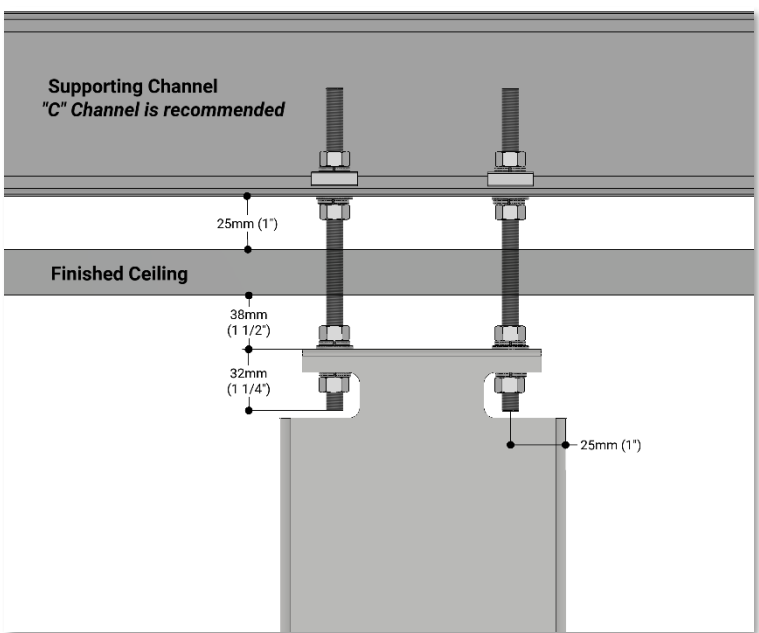
Appendix H-3 - Ceiling Hung Pilaster – Erect Pilaster

Install ceiling stud hardware.



Appendix H-4 - Ceiling Hung Pilaster – Erect Pilaster

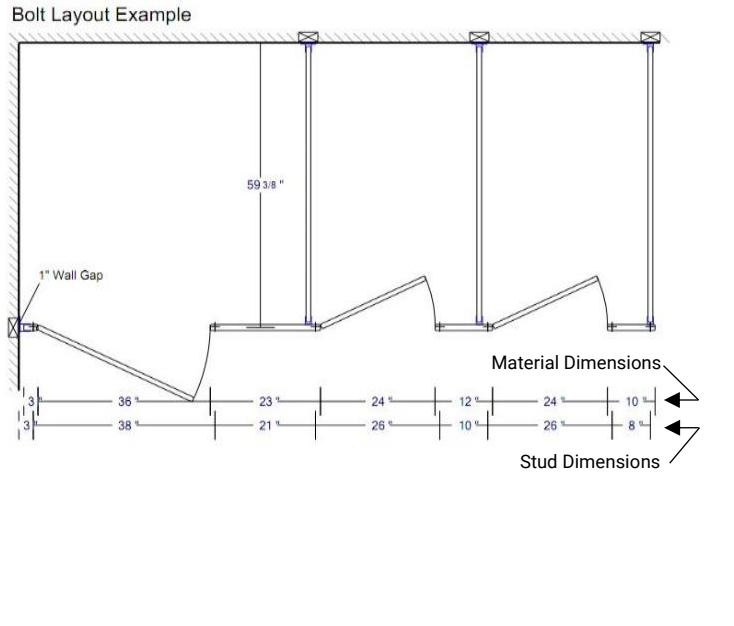
Position pilaster on ceiling studs, plumb and tighten. Hadrian recommends the supporting channel should be 25mm (1") above the finished ceiling.



Installation Manual for Metal Toilet Partitions – Standard Series

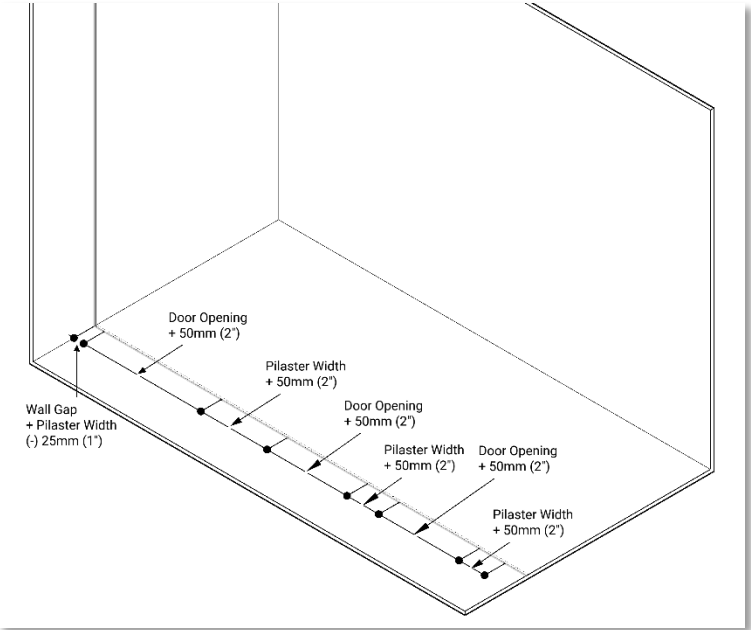
Appendix I-1 - Floor Mounted Pilasters Establish Floor Stud Locations

Establish front centerline by taking the overall compartment dimension and deducting 16mm (5/8"). Use final layout drawings to determine locations.



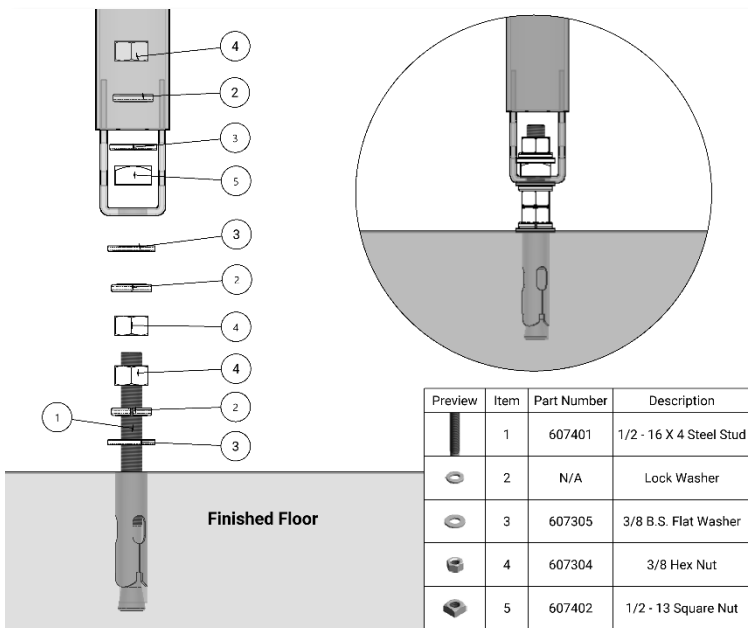
Appendix I-2 - Floor Mounted Pilasters Establish Floor Stud Locations

Drill 57mm (2 1/4") deep holes for floor studs and position 25mm (1") in from edge of pilaster locations as indicated on layout drawings.



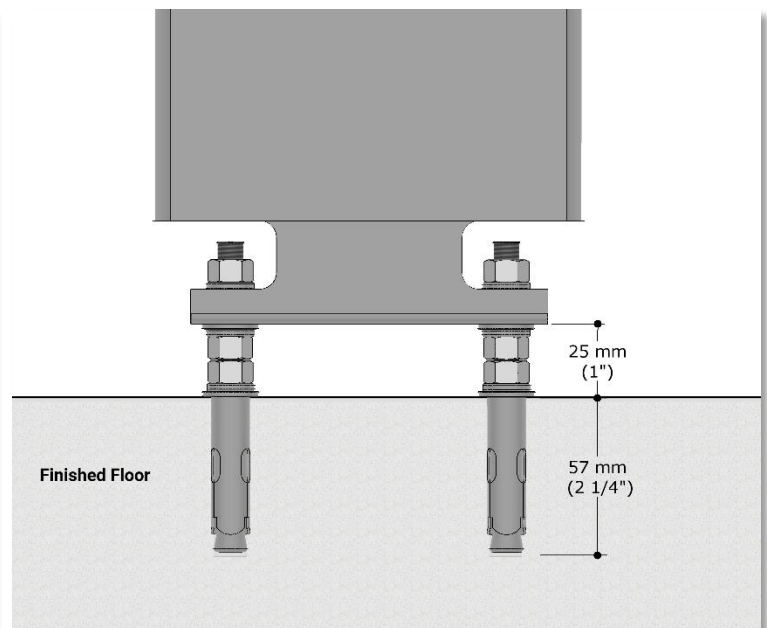
Appendix I-3 - Floor Mount Pilasters – Erect Pilaster

Install floor stud hardware.



Appendix I-4 - Floor Mount Pilasters – Erect Pilaster

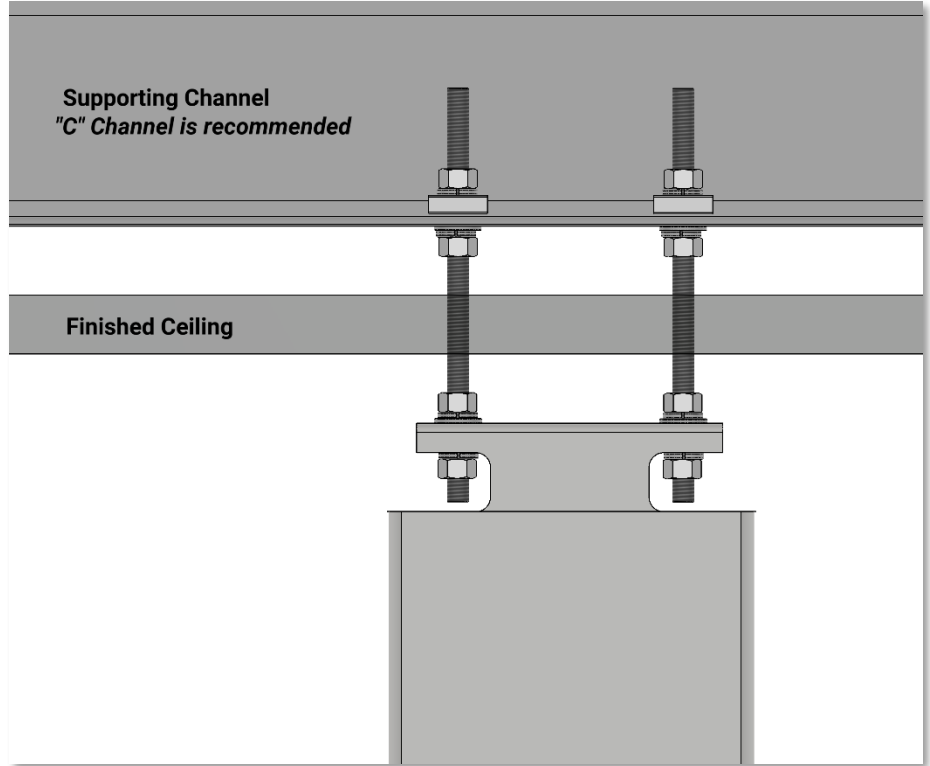
Position pilaster on floor studs 25mm (1") above finished floor, plumb and tighten.



Installation Manual for Metal Toilet Partitions – Standard Series

Appendix J-1 - Floor to Ceiling Pilaster Ceiling Connection

Follow Appendix G-1 to G-4 for ceiling connection instructions.



Appendix J-2 - Floor to Ceiling Pilaster Floor Connection

Follow Steps 1, 2 and 7 for floor connection instructions

